



Directional Control Valve Combination ND 4
manually operated, single/double acting,
max. operating pressure 500 bar

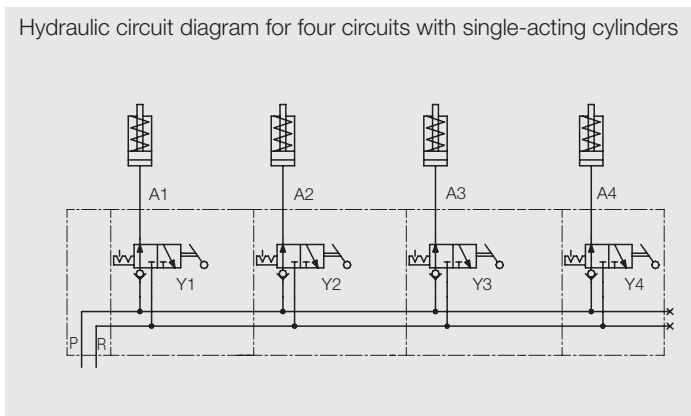
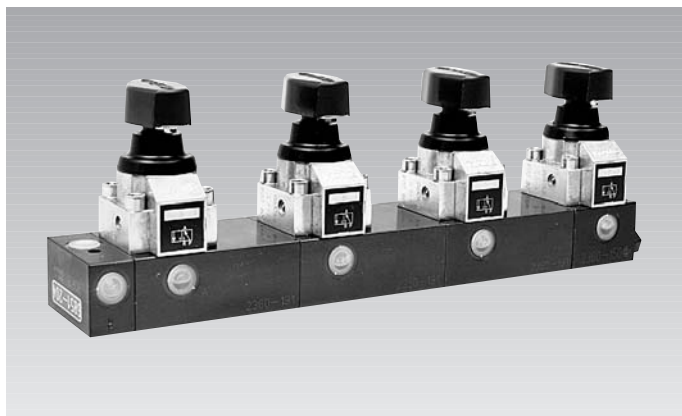


Figure: valve block for four clamping circuits with single-acting cylinders

Single-acting version

These directional control valve combinations are particularly suited for operating of individual clamping points in multiple clamping systems.

General characteristics

Description	3/2 directional control valve
Type	Poppet valve
Type of mounting	Thread M6
Porting connection	Mounting plate
Port size	G 1/4
Weight	see data sheet C 2.320

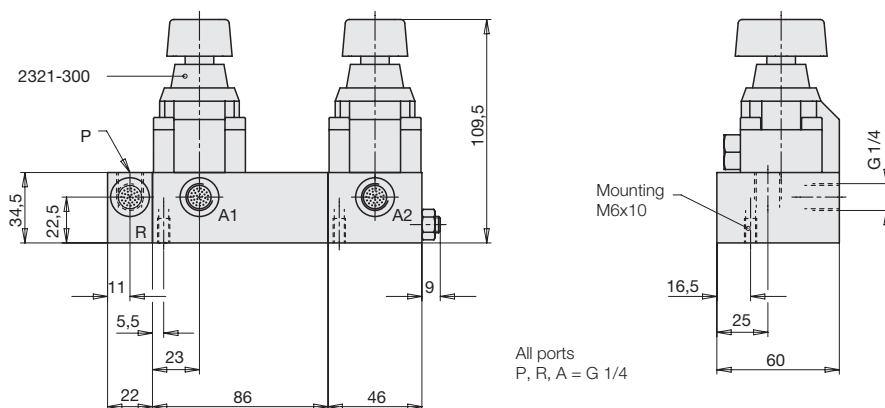
Hydraulic characteristics

Adm. operating press.	0-500 bar
Adm. flow rate	8 l/min
Direction of flow	only in direction of arrow as in symbol
Hydraulic oil	HLP 22
Δ p-Q curve	see data sheet C 2.320

Operating specification manually operated

Angle of rotation	90°
Operating torque	0.63 Nm

Dimension example: single-acting version for two clamping circuits (6851-202)



Valve combinations single-acting

Number of clamping circuits	Part-no.
1	6851-201
2	6851-202
3	6851-203
4	6851-204
5	6851-205
6	6851-206
7	6851-207

Further combinations are available on request

Double-acting versions

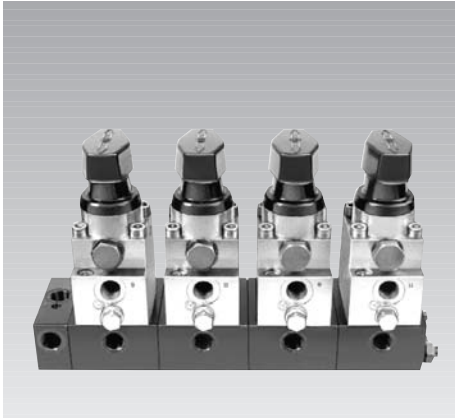
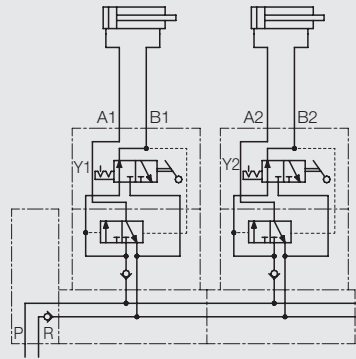


Figure: valve block for four clamping circuits with double-acting cylinders

Hydraulic circuit diagram for two double-acting cylinders



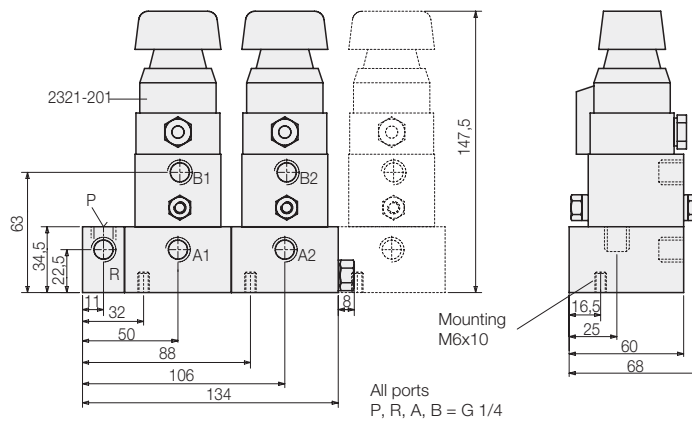
Double-acting version

These valve combinations can be used to operate double-acting cylinders. A 3/2 directional control valve and an intermediate valve plate are operated by a turning knob so that the double-acting function is obtained. The design of the subplates allows the combination with single-acting units of page 1.

General characteristics

Description	4/2 directional control valve Poppet valve
Type	Thread M6
Type of mounting	Mounting plate
Porting connection	G 1/4
Port size	approx. 3.5 kg/ operating unit
Weight	

Dimensions for double-acting version



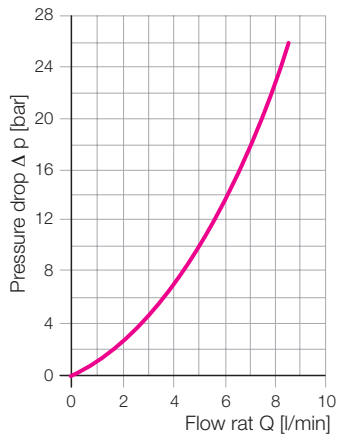
Hydraulic characteristics

Adm. operating press.	0-500 bar
Adm. flow rate	8 l/min
Direction of flow	only in direction of arrow as in symbol
Hydraulic oil	HLP 22

Operating specification

manually operated	
Angle of rotation	90°
Operating torque	0.63 Nm

Δp -Q characteristic curve for kinematic viscosity of $53 \times 10^{-6} \text{ m}^2/\text{s}$ (HLP 22 at 20 °C)



Valve combinations double-acting

Number of clamping circuits	Part-no.
1	2365-001
2	2365-002
3	2365-003
4	2365-004
5	2365-005

Further combinations are available on request.