



Directional Control Valves ND 4
manually operated, max. operating pressure 500 bar



General data

Type	Poppet valve
Type of connection	Subplate mounted (see accessories)
Port size	G 1/4
Weight	0.4 kg

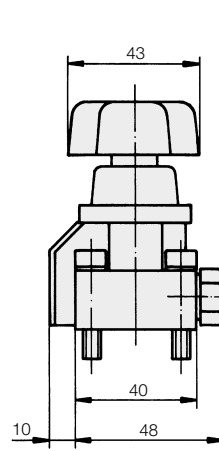
Hydraulic data

Adm. operating press.	0 – 500 bar
Adm. flow rate	8 l/min
Direction of flow	only in direction of arrow as in symbol
Hydraulic oil	HLP 22

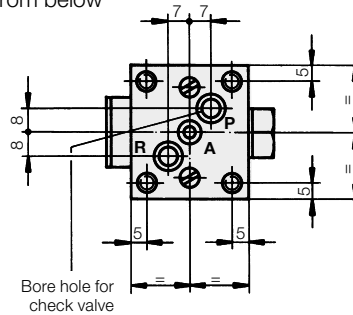
Operating specification

Manually operated	
Angle of rotation	90°
Operating torque	0.63 Nm

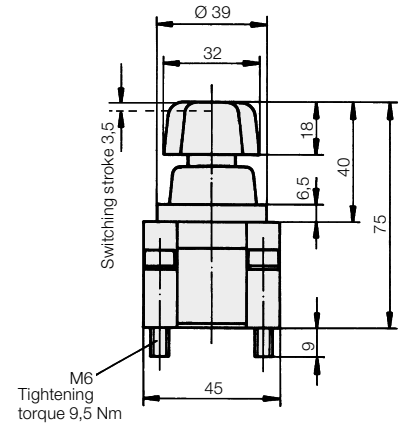
Double-acting function see data sheet C 2.345.



View from below



Bore hole for check valve



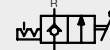
M6 Tightening torque 9,5 Nm

Seal (spare part)	Part no.
at A:	O-ring Ø 5x1,5 3000340
at P:	O-ring Ø 8x1,5 3000343
at R:	O-ring Ø 8x1,5 3000343

Description

2/2 directional control valve without check valve

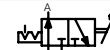
Symbol



Part no.

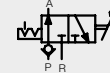
2321 302

2/2 directional control valve without check valve



2321 201

3/2 directional control valve with built-in check valve



2321 300

Accessories

Mounting plate	3534 039
----------------	-----------------

Δp -Q characteristic curve for kinematic viscosity of $53 \times 10^{-6} \text{ m}^2/\text{s}$ (HLP 22 at 20 °C)

