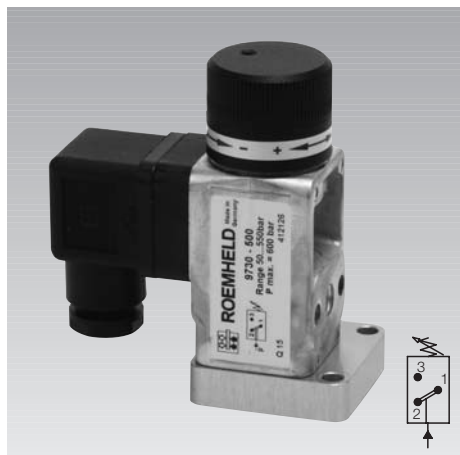




Pressure Switch

hydro-electric signal converter

pressure range 5-130 bar / 50-350 bar and 50-550 bar



Application

Hydro-electric pressure switches are devices, which close or open electrical contacts under pressure. They are used to switch on or off pump motors, valves for unpressurised cycles, for pressure-dependent machine tool interlock or similar applications in power units, machines and installations.

Description

Hydro-electric pressure switches in piston design convert the pressure in hydraulic systems into electrical signals. The switching point can be continuously adjusted and locked by means of an adjusting knob within different adjusting ranges.

The installed microswitch is a change-over switch which can be connected as break or make contact.

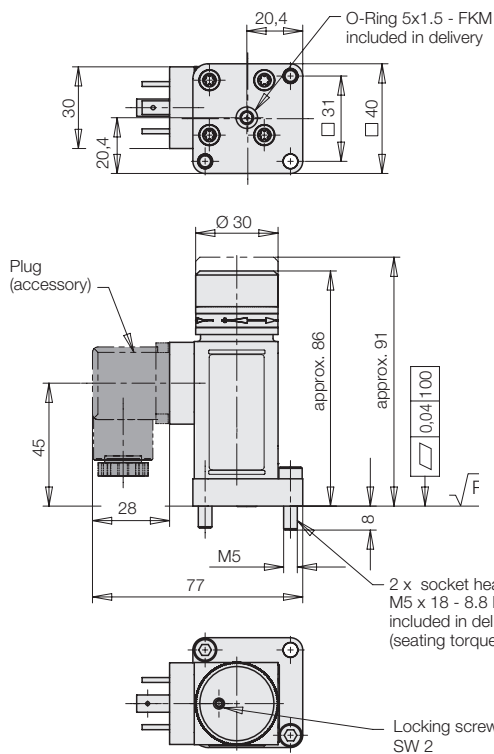
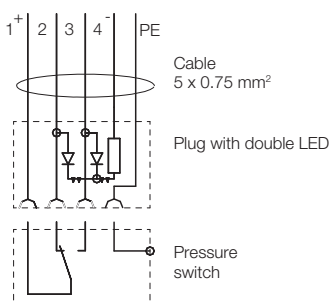
The electrical connection can be rotated by 4 x 90° with the housing.

The pressure switches are designed for industrial use with normal environmental conditions for installations with a maximum system pressure of up to 600 bar.

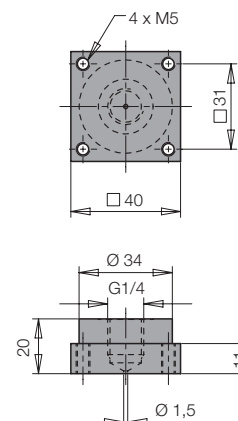
Switching symbol

Plug with double LED

Part-no. 3141-802



Accessory
Connecting plate
Part-no. 3534-051



Contact layout



Hydraulic characteristics

| Pressure adjusting range | 50 -550 bar | 50 -350 bar | 5 -130 bar |
|--------------------------|-------------------------------|-------------------------------|------------------------------|
| Hysteresis | 8...12 % at 500... 250 bar | 8...12 % at 300... 100 bar | 8...12 % at 100... 30 bar |
| Part-no. | 9730-500 | 9730-501 | 9730-502 |

Electrical characteristics

| | |
|-----------------------|--|
| Connection | Plug DIN 43650, form A |
| Switching element | change-over switch |
| Max. load | 4 A at 250 V AC; max 3.0 A at 28 V DC; min. 5 mA |
| Code class (EN 60529) | IP 65 |

Technical characteristics

| | |
|---------------------------|--|
| Operating fluid | Hydraulic oil HLP22, 32 and 46 (other media - please contact us) |
| Fluid temperature | max. 80 °C |
| Fluid connection | manifold-mounting or G1/4 with accessory connecting plate |
| Environmental temperature | -10 °C to +80 °C |
| Max. operating pressure | 600 bar |
| Vibration resistance | 10 g (10 ... 2000 Hz) |
| Shock resistance | 30 g |
| Material | Cylinder body: zinc diecasting Adjusting cap: aluminium (powder coated) |
| Sealings | FKM |
| Weight | 0.325 kg |
| Mounting position | any |

Accessory

| Accessory | Part-no. |
|---|-----------------|
| Connecting plate | 3534-051 |
| Plug DIN 43650, plug insert 4 x 90° rotatable | 3141-012 |
| Plug with cable 0.6 m | 3141-928 |
| Plug with cable 2.5 m | 3141-818 |
| Plug with double LED and cable 3 m | 3141-802 |
| Spare O-ring 5x1.5 - FKM | 3001-147 |