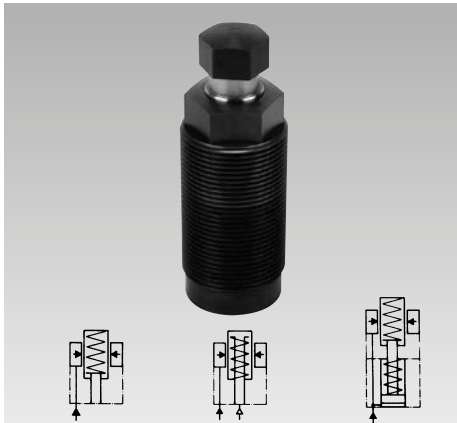




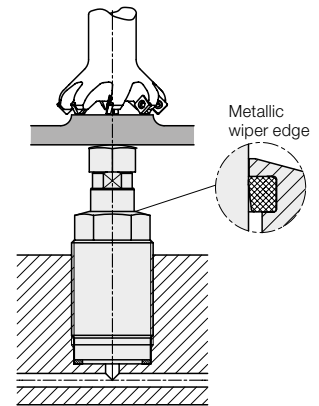
Threaded-Body Work Support

M 30 x 1.5, metallic wiper edge, 2 sizes, 3 types of function, single acting, max. operating pressure 500 bar



Advantages

- Space-saving threaded-body version
- 2 sizes
- 3 types of function
- Contact force by spring or pneumatically adjustable (19410X2)
- Load force 6.5 or 9.5 kN
- Metallic wiper edge and FKM wiper
- Corrosion-resistant interior parts
- Mounting body as accessory



Application

Hydraulic work supports are used to provide a self-adjusting rest for the workpiece during the machining operations. They compensate the workpiece surface irregularities, also vibration and deflection under machining loads. The threaded-body design allows for space-saving and direct installation into the fixture body. Oil supply is made through drilled channels.

Description

In the body of the threaded-body work support a thin-walled locking bush is integrated, which locks cylindrically around the freely-movable support plunger when pressurising the element with hydraulic oil.

1. Spring force
2. Air pressure
3. Oil pressure combined with spring force

The elements are protected against penetration of swarf by a metallic wiper edge and are sealed against liquids.

Important notes!

Work supports are not suitable to compensate side loads. The support plunger must not be stressed by tensile load.

The admissible load force is valid for static or dynamic load. Machining forces can generate vibrations, whose amplitude exceeds far an average value, and this can cause yielding of the support plunger. Remedy: increase the safety factor or the number of work supports.

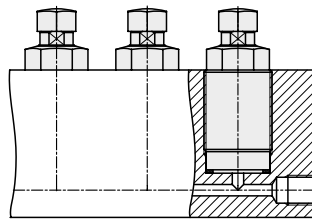
In case of accumulation of very small grinding swarf there can be a swarf holdup in the area of the metallic wiper edge. Remedy: Regular cleaning in this area.

Work supports must only be operated with a sealed contact bolt. For special versions of contact bolts we can provide you a drawing with the interior contour.

Operating conditions, tolerances and other data see data sheet A 0.100.

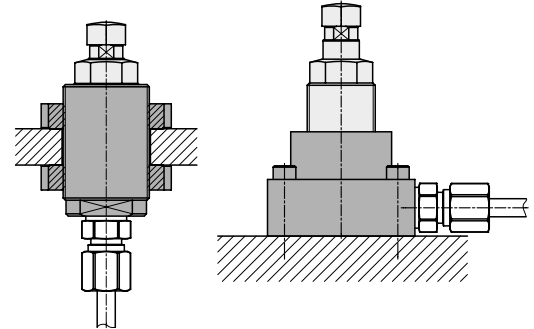
Installation and connecting possibilities

Drilled channels



Pipe thread

with accessory mounting body
with exterior thread with flange



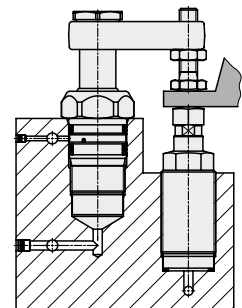
Combination with clamping elements

Load and clamping forces have to be adapted to each other, so that there will be sufficient force reserve available for the threaded-body work support to absorb the machining forces.

Rough estimate:

Min. load force ≥ 2 x clamping force

The opposite diagram shows the course of the load and clamping force for the possible combination of 194X01X with a threaded-body swing clamp 1891XX1 as per data sheet B1.891. The vertical distance of the two straight lines in the area of the colorised surface indicates the maximally possible machining force including reserve.

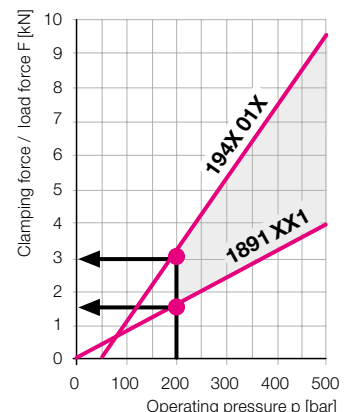


Example

Threaded-body swing clamp 1891 101 and threaded-body work support 1942012. Operating pressure 200 bar
As per diagram:

Adm. load force	3,0 kN
– Clamping force	1,5 kN
Possible machining force	1,5 kN

If this force is not sufficient the work support can also be supplied with 500 bar. The pressure for the swing clamp will be reduced.

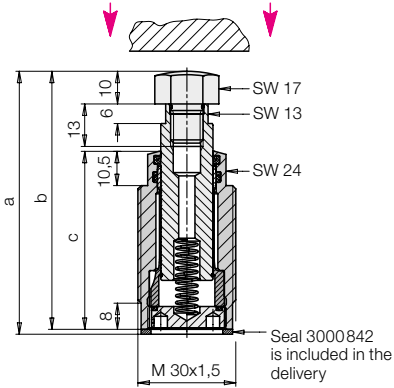


Dimensions

Technical data • Accessories

Spring force

Off-position: Plunger extended
Contact with spring force



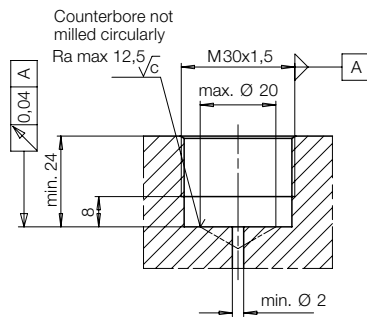
Adm. load [kN]	6.5	9.5
Stroke [mm]	8	8
a [mm]	80.5	90.5
b [mm]	79	89
c [mm]	54.5	64.5

Spring force min./max. [N]	7/12	7/12
Part no.	1940002	1940012

Accessory

Accessory	Part no.
Mounting body flange	3467111
Mounting body M38 x 1.5	3467086
Lock nut M38 x 1.5	3300088

Porting details for 1940 and 1942



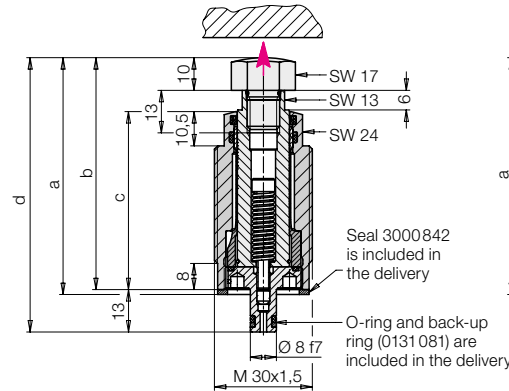
Technical data

Support plunger Ø	[mm]	16
Stroke	[mm]	8/15
Required oil per stroke	[cm³]	0.5/1
Admissible flow rate*	[cm³/s]	25
Plunger contact force at 1 bar Luftdruck (1941) (Federkraft abziehen!)	[N]	20
Recommended mini. pressure	[bar]	100
Elastische Längenänderung with load and 500 bar	[mm/kN]	0.004
Max. operating temperature	[°C]	80
Seating torque	[Nm]	60
Weight, approx.	[kg]	0.3

* If required insert sharp-edged orifice Ø 0.5 mm in sealing ring (see accessory 1942)

Air pressure

Off-position: Plunger retracted
Extend and contact with air pressure

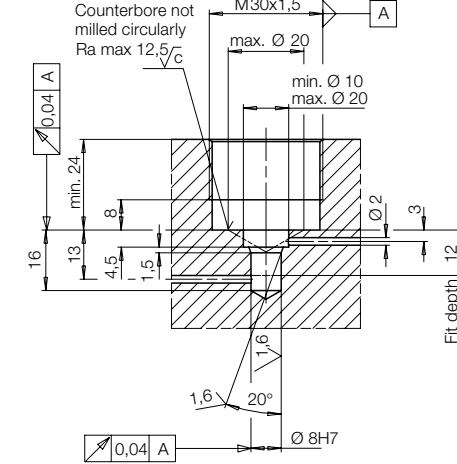


Adm. load [kN]	6.5	9.5
Stroke [mm]	8	8
a [mm]	72.5	82.5
b [mm]	71	81
c [mm]	54.5	64.5
d [mm]	84	94

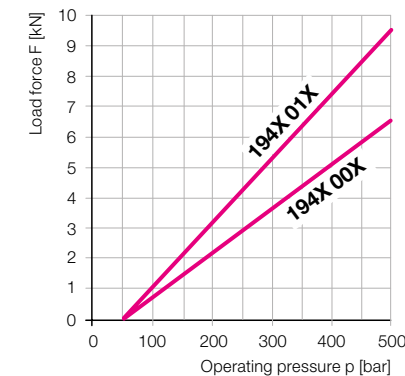
Spring force min./max. [N]	20/30	20/30
Part no.	1941002	1941012

Accessory	Part no.
Mounting body flange	3467112

Porting details for 1941

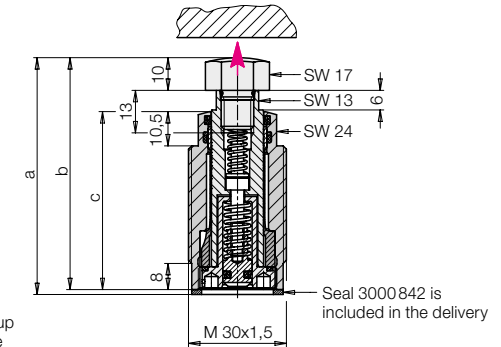


Admissible load force F as function of the operating pressure p



Oil pressure combined with spring force

Off-position: Plunger retracted
Extend with hydraulic and contact with spring force

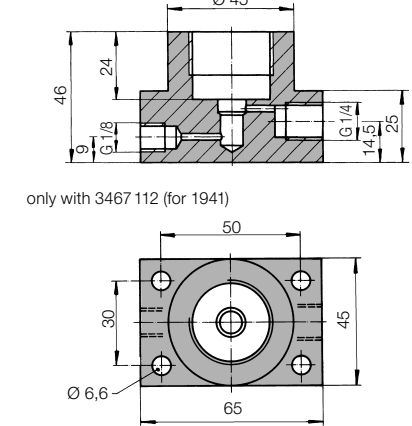


Adm. load [kN]	6.5	6.5	9.5	9.5
Stroke [mm]	8	15	8	15
a [mm]	72.5	79.5	82.5	89.5
b [mm]	71	78	81	88
c [mm]	54.5	64.5	64.5	71.5

Spring force min./max. [N]	16/33	10/22	16/33	10/22
Part no.	1942 -002	-007	-012	-017

Accessory	Part no.
Mounting body flange	3467111
Mounting body M38 x 1.5	3467086
Lock nut M38 x 1.5	3300088
Sharp-edged orifice Ø 0.5 mm	3420386

Mounting body flange



Mounting body M38x1.5

