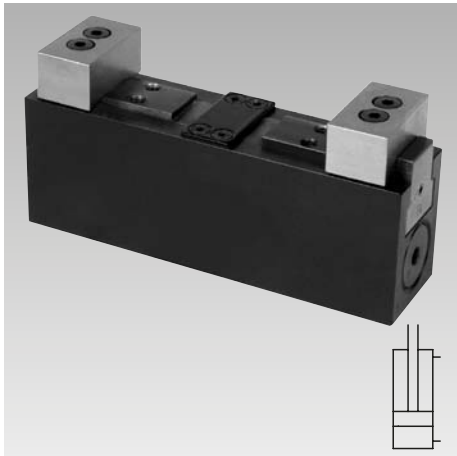




**Fixture Clamp, Position Flexible**

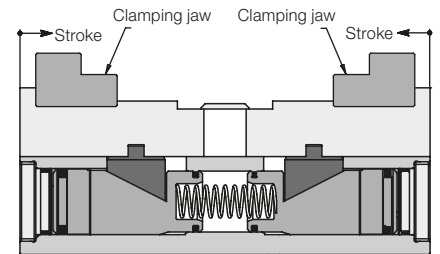
max. clamping force 8 kN, jaw width 40 mm  
double acting, max. operating pressure 250 bar



**Advantages**

- Very compact design
- High stiffness
- High clamping force with low contact forces
- Position flexible within the clamping range
- Double-acting function
- Fixtures without pipes possible
- Exchangeable jaws
- Good swarf protection
- Port for central lubrication
- Mounting position: any

**Function**

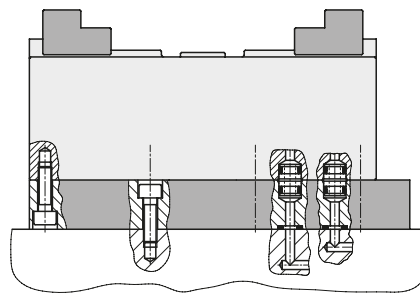


**Application**

Position-flexible fixture clamps can additionally clamp and support a workpiece, which is already positioned and clamped in fixed stops, at unstable workpiece sections. Due to their compact design they can be arranged in a very limited space. Fixture clamps are especially suitable for series manufacturing in automated mode. The double-acting cylinder function combined with central lubrication and good swarf protection guarantees a high process safety.

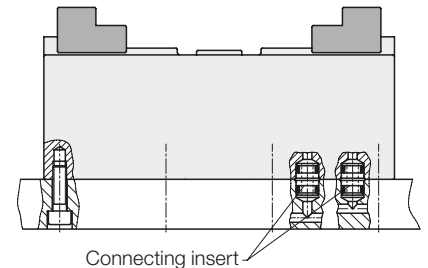
**Fixing from above**

with accessory adaptor plate  
**Drilled channels**



**Fixing from below**

**Drilled channels**



**Description**

The fixture clamp with position-flexible clamping function consists of a very slim basic body with 2 integrated hydraulic cylinders.

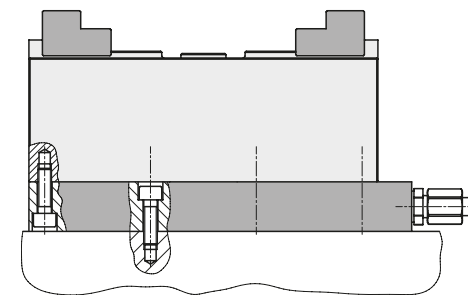
The piston forces are transmitted by two channels to the two clamping slides that can be moved independently from each other. During clamping both clamping slides contact the workpiece nearly without force (see page 3).

Only after that the clamping pressure and thereby the clamping force increases. Due to wedging of the clamping slides these are protected against displacement. Thereby the workpiece is floatingly held without deformation.

All threads and ports are at the bottom to allow a space-saving arrangement of several clamping points in a very limited space. If fixing from below is not possible an adaptor plate for manifold mounting or tube connection is available.

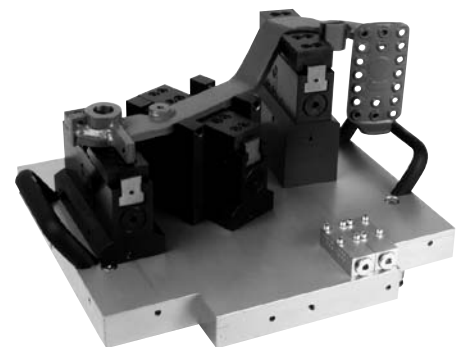
As accessory also blanks of clamping jaws are available for adaptation to the workpiece contour.

**Pipe thread**



**Application example**

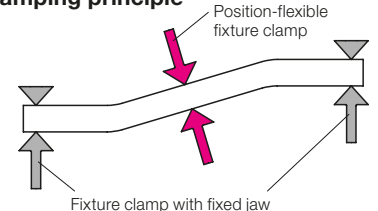
Clamping fixture for a pedal of a freight vehicle.



**Accessories**

Clamping jaws and adaptor plate are not included in the delivery of the fixture clamp and have to be ordered separately as accessory.

**Clamping principle**





# Accessories

## Position-flexible clamping

### Self-made clamping jaws

Clamping jaws are manufactured according to the contour of the workpiece to be clamped. The max. height of the clamping jaw X at 250 bar operating pressure is indicated in the opposite chart.

If the operating pressure is lower, the clamping jaws can be designed higher as per the opposite diagram.

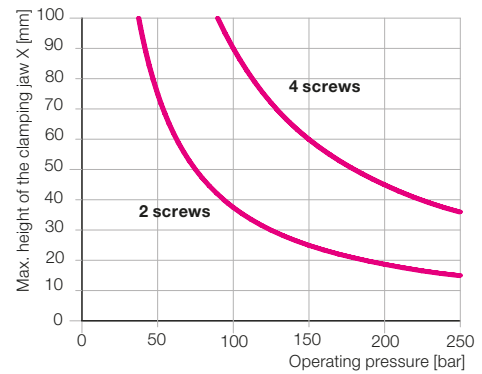
### Max. height of the clamping jaws X at max. operating pressure of 250 bar

Fixing screws for clamping jaws	M6x16 - 12.9
X [mm] with 2 screws	15
X [mm] with 4 screws	36

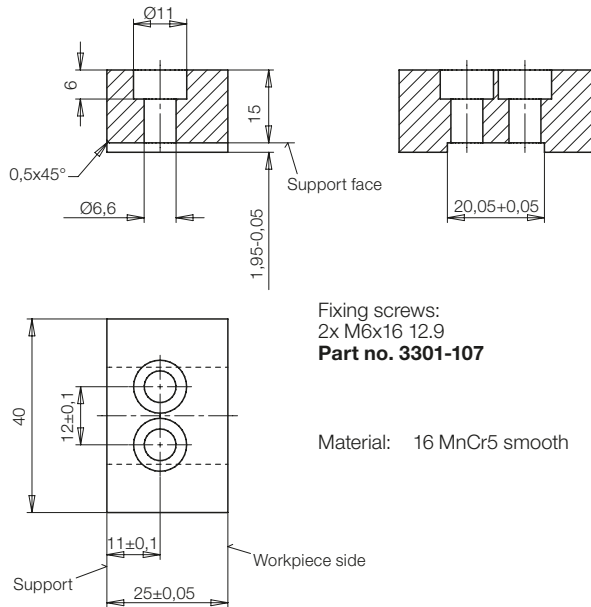
### Important note

The clamping jaws must always be supported by the provided support, since the fixing screws are not in the position to compensate the generated clamping forces.

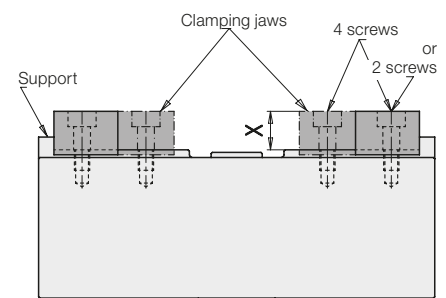
### Max. height of the clamping jaw X as a function of the operating pressure



### Clamping jaw blank 40 mm Part no. 3548-070

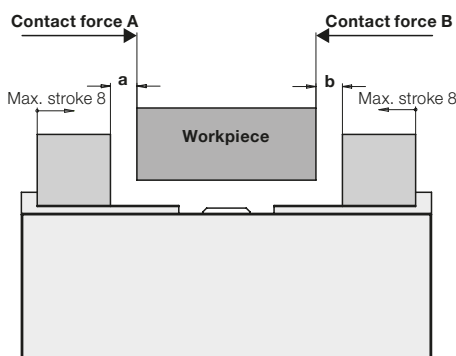


### Fixing of the clamping jaws



### Position-flexible clamping

#### 1. Position of the workpiece within the clamping range



**Limit dimensions:** a max. = 7 mm  
b max. = 7 mm

#### Recommendation:

Place the position-flexible fixture clamp as symmetrically as possible to the workpiece, so that the clamping jaws realise approximately the same stroke and also the smallest possible stroke.

#### 2. Possible contact forces during clamping

Due to the slightly different factors of friction and an internal bracing spring the two clamping jaws do not uniformly contact the workpiece. One clamping jaw always hurries on ahead. This can already lead in case of very unstable sections to a deformation. The possible contact force can be taken from the diagram.

#### 3. Max. flow rate

With a max. flow rate of  $17 \text{ cm}^3/\text{s}$  the clamping time is approx. 0.5 seconds. For unstable workpieces and / or heavy clamping jaws the flow rate in the supply line should be throttled so that the clamping jaws contact the workpiece as „smoothly“ as possible. If required, the two set screws M3 ( $\varnothing 0.7$ ) in the ports A can be replaced.

#### Contact force as a function of the stroke difference (a-b) or (b-a)

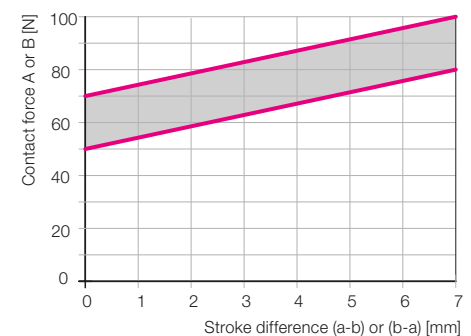


Diagram valid for horizontal mounting position. For vertical arrangement the weight of the clamping jaws has to be considered.