



Rotary Couplings

single, twin, four and six passages with / without leakage oil recirculation
max. operating pressure 500 bar

General description

Rotary couplings supply the pressure oil to rotating and swivelling installations. They are mounted in the centre of rotation of the installation.

Operating conditions

When selecting, operating pressure and speed have to be taken into account. Only use hydraulic oil of the viscosity classes 22, 32 and 46.

The rotary coupling has to be connected to the power unit on all levels to ensure sufficient lubrications of the seals.

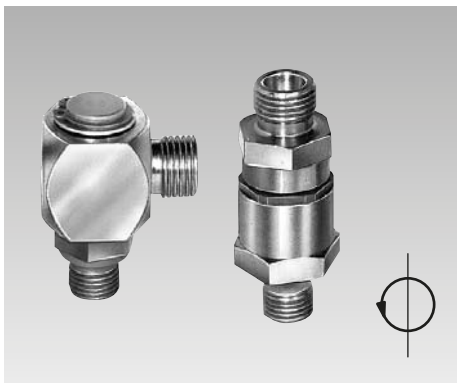
The rotary couplings must only be used in a temperature range between +10 °C and +60 °C. This also applies to possible special versions with FKM seals.

Operating conditions, tolerances and other data see data sheet A 0.100.

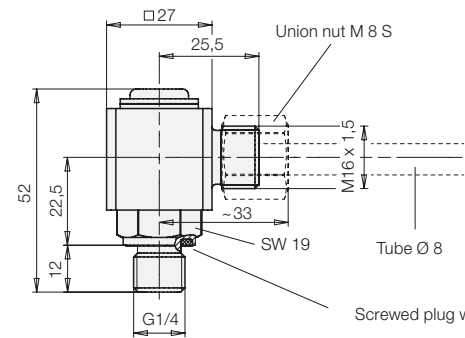
Special versions are available on request.

When placing an order, please indicate the most important operating data (pressure, temperature, medium, number of revolutions or cycle time) in order to allow a possible adaptation from standard for the application.

Single passage rotary couplings



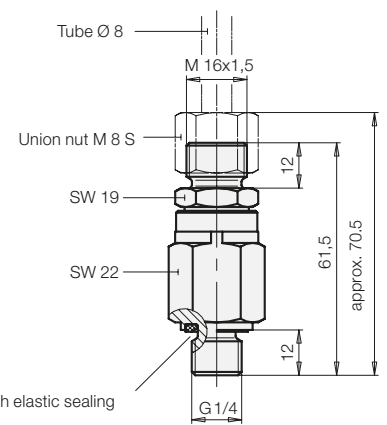
Angle swivel joint



Part no.

9208-176

Axial swivel joint



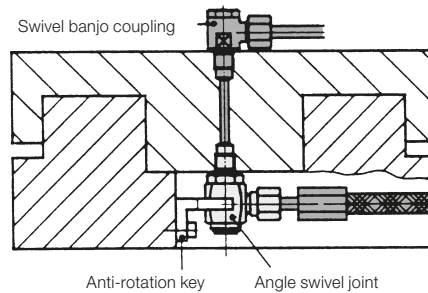
Part no.

9208-069

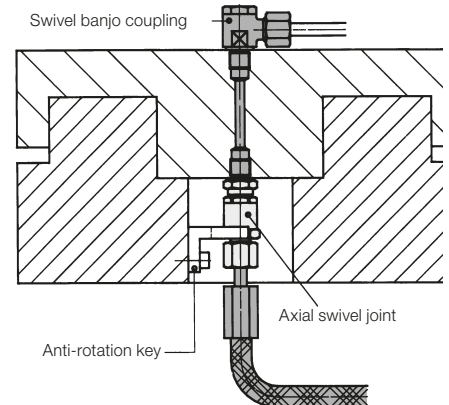
Technical data

Range of operating pressure	10 – 500 bar
Admissible continuous speed	10 min ⁻¹
Starting torque	approx. 1.2 Nm
Tightening torque G1/4	55 Nm

Application examples



Anti-rotation key Angle swivel joint

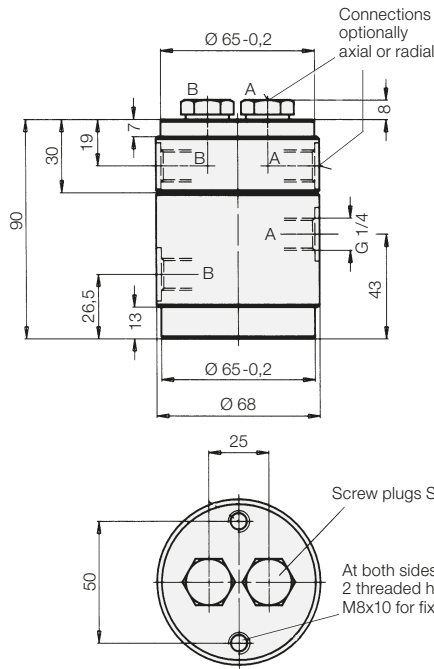


Anti-rotation key Axial swivel joint

Twin passage rotary coupling

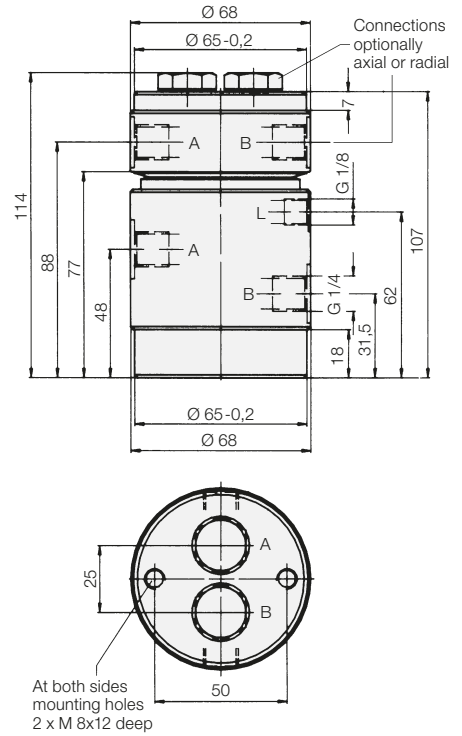


Twin passage rotary coupling

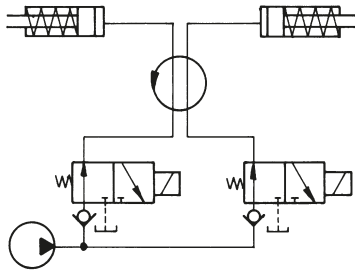


Twin passage rotary coupling

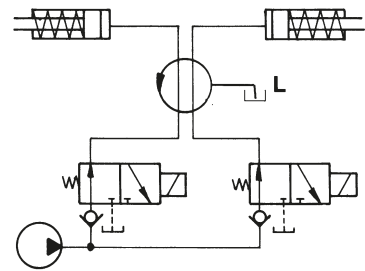
with leakage oil recirculation in the housing



Hydraulic circuit diagram



Hydraulic circuit diagram



Rotary coupling ND 5

Operating pressure range [bar] Leakage rate [cm³/100h] Weight [kg]

Part no.

10 – 500 40 2.4 **9281-136**

Rotary coupling ND 5

with leakage oil recirculation in the housing

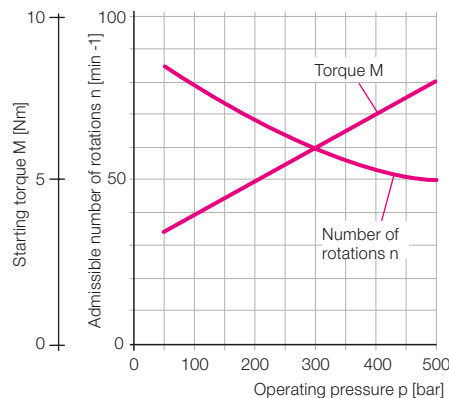
Operating pressure range [bar]

Weight [kg]

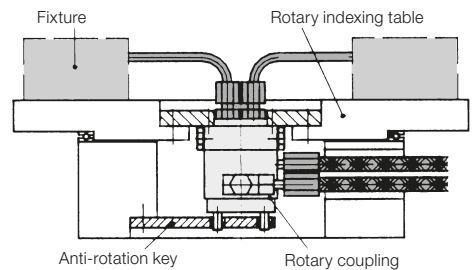
Part no.

10 – 500 2.75 **9281-135**

Max. admissible number of rotations n and starting torque M as a function of the operating pressure p



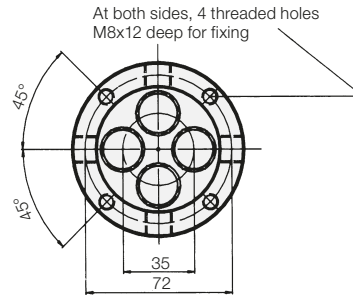
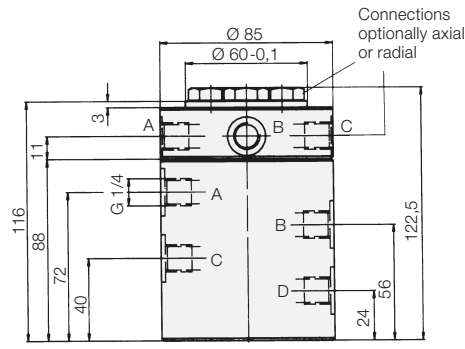
Application example



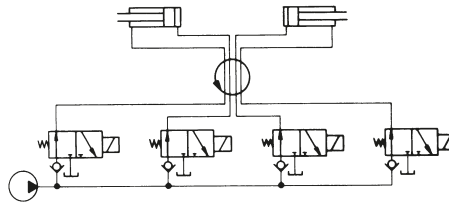
Four passage rotary coupling



Four passage rotary coupling



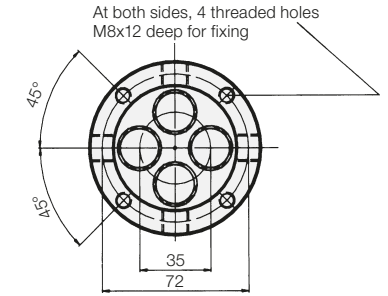
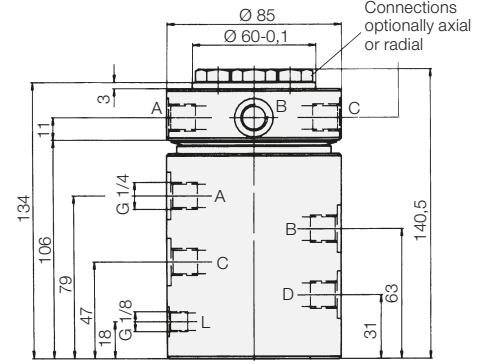
Hydraulic circuit diagram



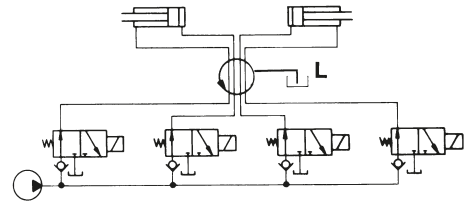
Rotary coupling ND 5

Operating pressure range [bar]	Leakage rate [cm ³ /100h]	Weight [kg]	Part no.
10 – 500	60	4.6	9284-036

Four passage rotary coupling with leakage oil recirculation in the housing



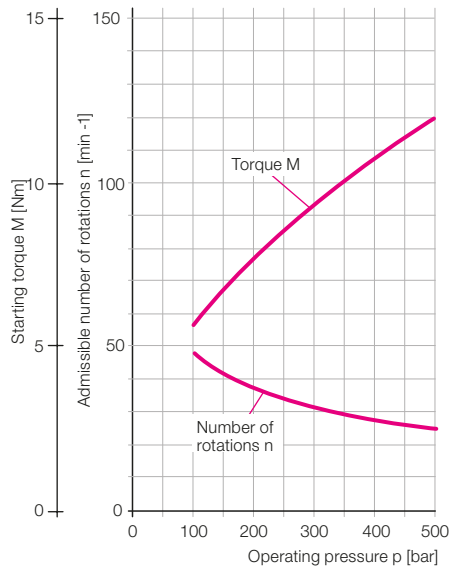
Hydraulic circuit diagram



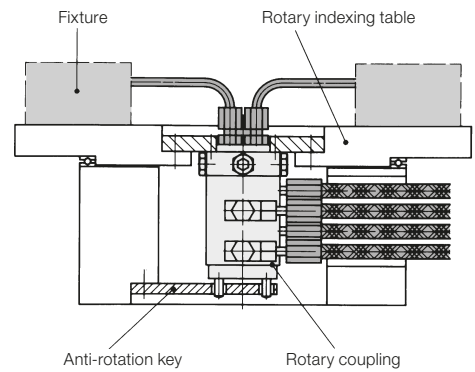
Rotary coupling ND 5

Operating pressure range [bar]	Weight [kg]	Part no.
10 – 500	5.5	9284-135

Max. admissible number of rotations n and starting torque M as a function of the operating pressure p



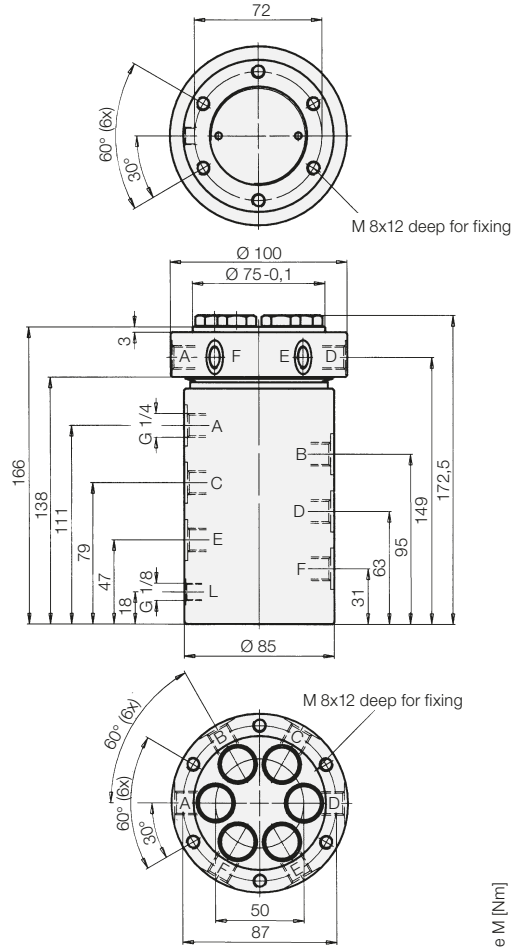
Application example



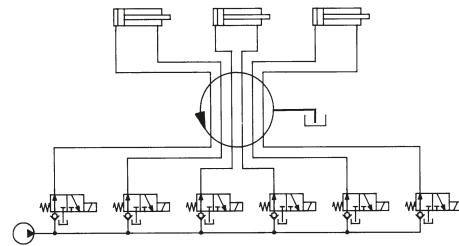
Six passage rotary coupling



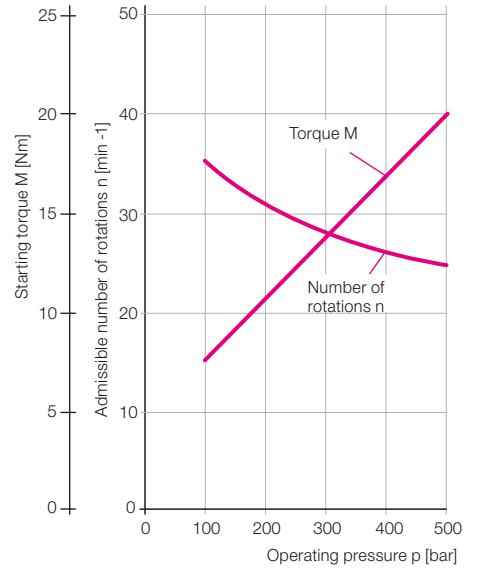
Six passage rotary coupling with leakage oil recirculation in the housing



Hydraulic circuit diagram



Max. admissible number of rotations n and starting torque M as a function of the operating pressure p



Rotary coupling ND 5

Operating pressure range [bar]	Weight [kg]	Part no.
10 – 500	7.2	9286-135

Application example

