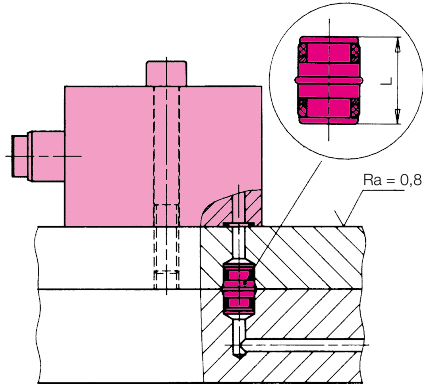


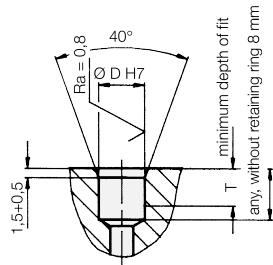
Plug-type connectors with FKM sealings for plates and piping strips (max. operating pressure 500 bar)

Short version
for connections without space

Installation example



Installation dimensions short version

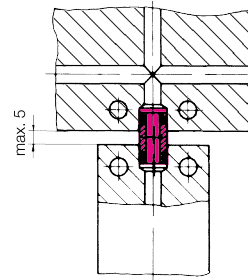


Note: max. mismatch of bore holes: short version 0.05 mm

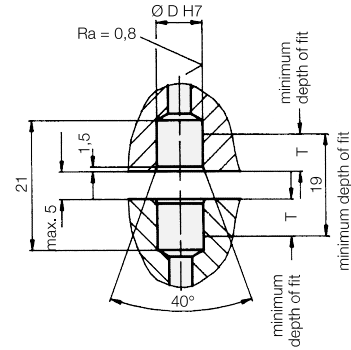
ND	Ø D H7	L	T	Part no.
3	8	12	5.5	9210 145
5	10	14	7	9210 132

Long version
for connections with space up to 5 mm

Installation example



Installation dimensions long version

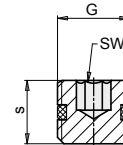


Note: max. mismatch of bore holes: long version 0.1 mm

ND	Ø D H7	L	T	Part no.
5	10	19	7	9210 127

Screw plug with threaded sealing ring (max. operating pressure 500 bar)

G		G 1/8	G 1/4
s	[mm]	8.5	12
t	[mm]	8.5	12.5
SW	[mm]	4	6
Part no.		0361 986	0361 987
Spare O-ring		3001 748	3000 102



Porting details

