



Hydraulic Pump
manually operated
max. operating pressure 100, 200 and 500 bar



Type with foot lever, base and pressure gauge
In connection with our clamping elements, workpieces can be clamped economically with this clamping pump.

Furthermore, this pump can be used for lifting loads, adjusting and clamping tables, as well as for other operating processes.

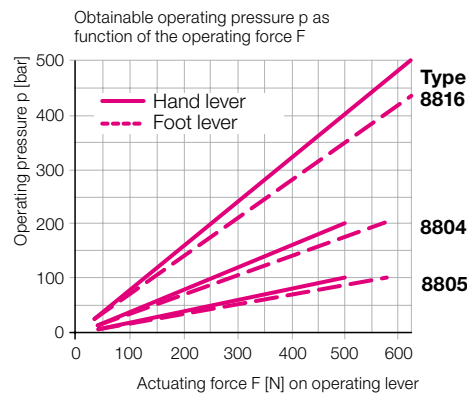
The particular advantages of this pump are:

- Choice of hand or foot operation
- Pumping and releasing with the same lever
- Continuously adjustable pressure relief valve
- Metallic seal on pump piston, thereby nearly wear-free
- Compact, self-contained design.

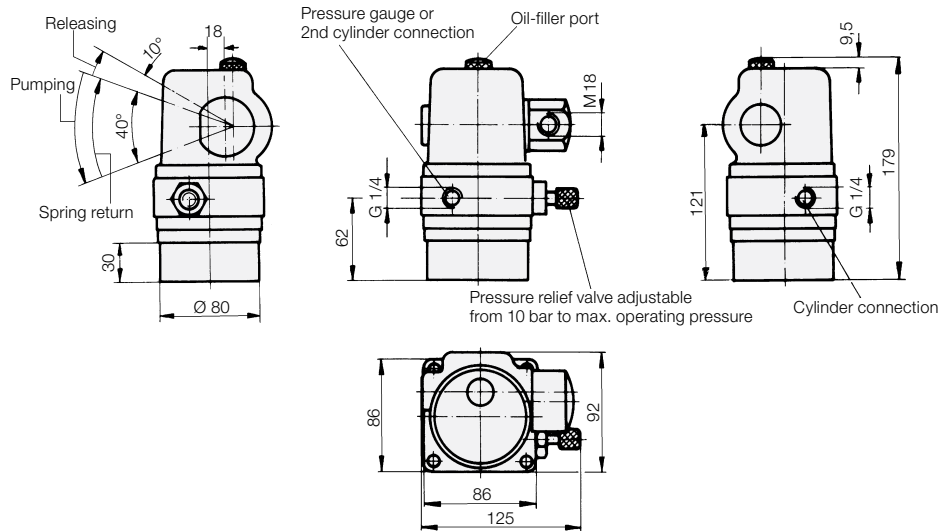
Delivery without accessories.

Hydraulic lifting pumps with safety hand or foot lever are assembled and ready for operation.

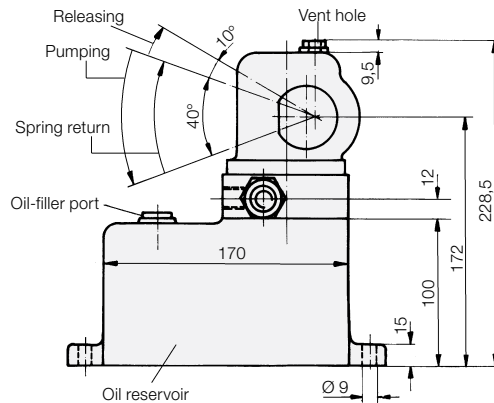
Accessory see page 2.



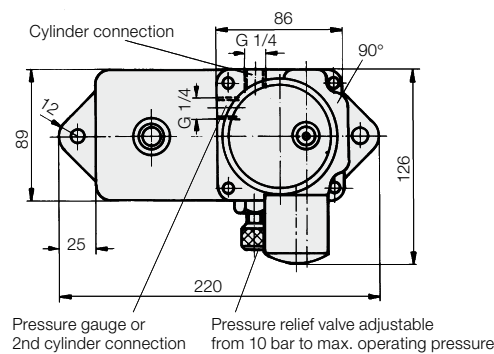
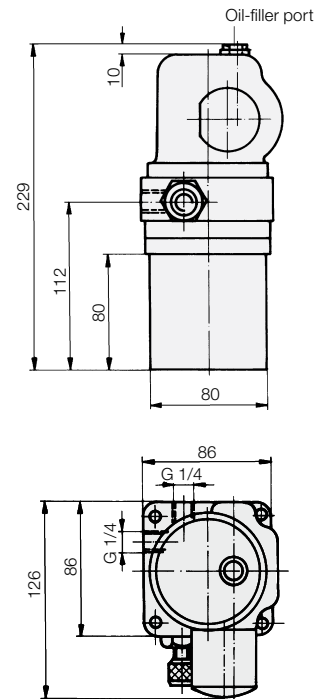
Types 8804-006, 8805-006, 8816-006



Types 8806-006 and 8807-006



Type 8808-006



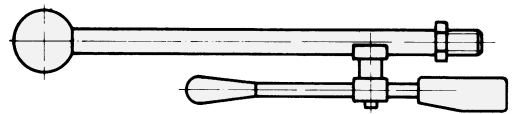
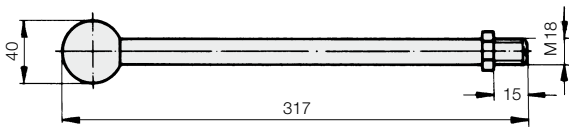
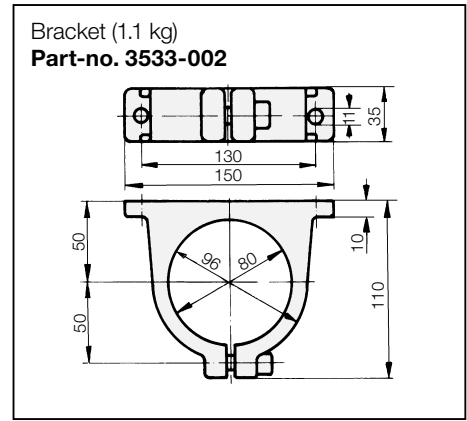
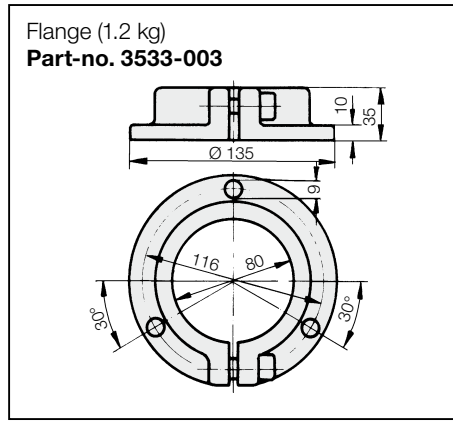
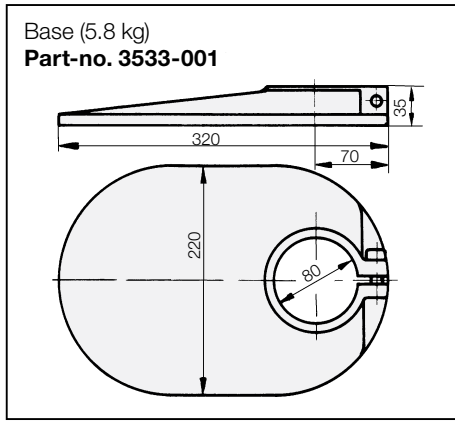
| | | | | | | | |
|-------------------------------------|--------------------|-----------------|-----------------|-----------------|-----------------|-----------------|-----------------|
| Max. operating pressure | [bar] | 200 | 100 | 500 | 100 | 200 | 200 |
| Oil volume | [cm ³] | 300 | 300 | 300 | 970 | 970 | 400 |
| Available oil volume | [cm ³] | 150 | 150 | 150 | 750 | 750 | 250 |
| Displacement per stroke | [cm ³] | 4 | 8 | 2 | 8 | 4 | 4 |
| Weight | [kg] | 6.1 | 6.1 | 6.1 | 9.5 | 9.5 | 6.4 |
| Part-no. (without accessory) | | 8804-006 | 8805-006 | 8816-006 | 8806-006 | 8807-006 | 8808-006 |

Accessories

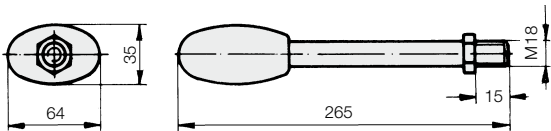
The following accessories with connecting fittings for the hydraulic pump must be ordered separately:

| For pump type | 8804-006 | 8805-006 | 8816-006 | 8806-006 | 8807-006 | 8808-006 |
|---|--------------------------|-----------------|-----------------|-----------------|-----------------|-----------------|
| Base plate | Part-no. 3533-001 | 3533-001 | 3533-001 | - | - | 3533-001 |
| Bracket | Part-no. 3533-002 | 3533-002 | 3533-002 | - | - | 3533-002 |
| Flange | Part-no. 3533-003 | 3533-003 | 3533-003 | - | - | 3533-003 |
| Foot lever | Part-no. 0990-102 | 0990-102 | 0990-102 | 0990-102 | 0990-102 | 0990-102 |
| Hand lever | Part-no. 0990-103 | 0990-103 | 0990-103 | 0990-103 | 0990-103 | 0990-103 |
| Pump unit with safety hand lever | Part-no. 8804-026 | 8805-026 | 8816-026 | 8806-026 | 8807-026 | 8808-026 |
| Pump unit with safety foot lever | Part-no. 8804-016 | 8805-016 | 8816-016 | 8806-016 | 8807-016 | 8808-016 |
| Pressure gauge with 90° elbow 0-250 bar | Part-no. 9811-015 | 9811-015 | - | 9811-015 | 9811-015 | 9811-015 |
| Pressure gauge with 90° elbow 0-600 bar | Part-no. - | - | 9811-017 | - | - | - |
| Hydraulic oil HLP 32, 1l container | Part-no. 9895-001 | 9895-001 | 9895-001 | 9895-001 | 9895-001 | 9895-001 |

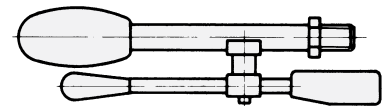
High-pressure hose see data sheet F 9.361



Part-no. 0990-103



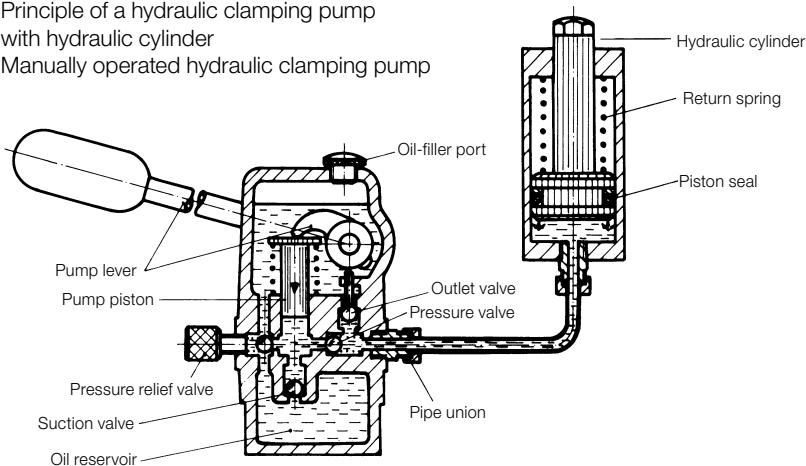
Safety foot leverl *



Safety foot leverl *

* Delivery only together with hydraulic pump (see table)

Principle of a hydraulic clamping pump with hydraulic cylinder
Manually operated hydraulic clamping pump



Example for ordering

Hydraulic clamping pump with accessories,
8 cm³ displacement,
100 bar operating pressure

| | |
|--------------------------|--------------------|
| Hydraulic clamping pump | 8805-006 |
| Foot lever | 0990-102 |
| Base | 3533-001 |
| High-pressure hose 1.6 m | 93206-01600 |
| Gauge with 90° elbow | 9811-015 |
| Hydraulic oil | 9895-001 |

The pump supplied filled with oil.