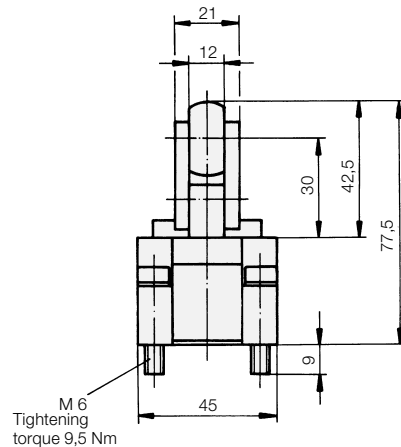
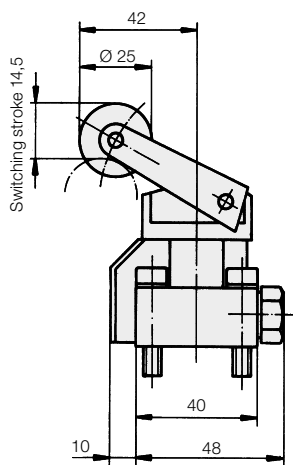


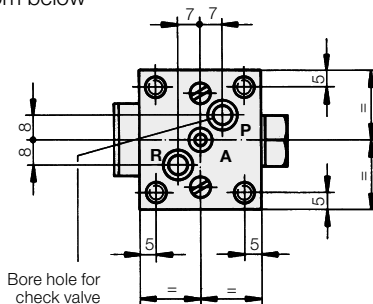


Directional Control Valves ND 4

mechanically operated, max. operating pressure 500 bar



View from below



General data

Type	Poppet valve
Type of connection	Subplate mounted (see accessories)
Port size	G 1/4
Weight	0.4 kg

Hydraulic data

Adm. operating pressure	0 – 500 bar
Adm. flow rate	8 l/min
Direction of flow	Only in direction of arrow as in symbol
Hydraulic oil	HLP 22

Operating specification

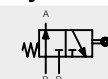
mechanically by roller lever	
Operating force	28 N at 500 bar

Seal (spare part)	Part no.
at A : O-ring Ø 5x1,5	3000340
at P : O-ring Ø 8x1,5	3000343
at R : O-ring Ø 8x1,5	3000343

Description

3/2directional control valve without check valve

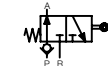
Symbol



Part no.

2341 101

3/2directional control valve with built-in check valve



2341 201

Other switching functions on request

Accessories

Mounting plate	3534 039
----------------	-----------------

Δp -Q characteristic curve for kinematic viscosity of $53 \times 10^{-6} \text{ m}^2/\text{s}$ (HLP 22 at 20 °C)

