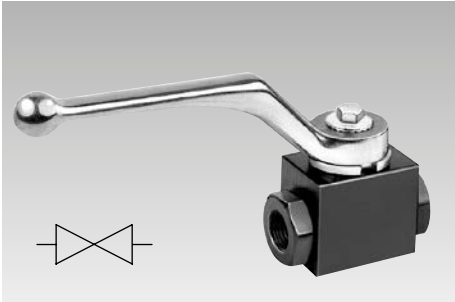
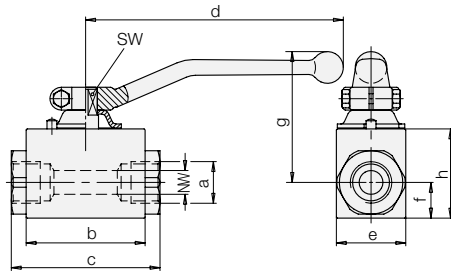




**High-Pressure Shut-Off Valves
Flow Control Valves**

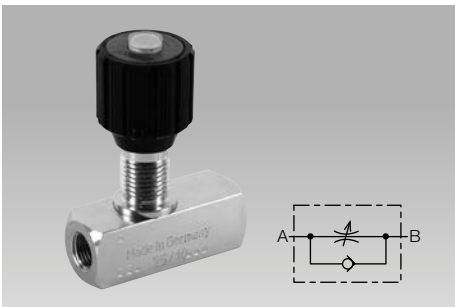


High-pressure shut-off valve
Max. operating pressure 500 bar

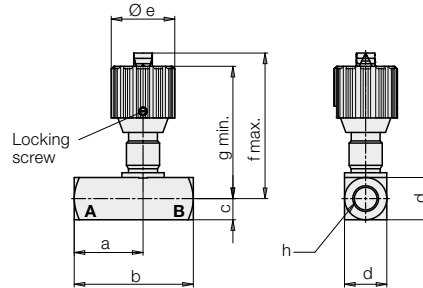


Spare operating lever for 2944 002
Part no. steel 3540317
Part no. alu 3540318

Temperature range -20...+60 °C.			
Hermetically sealing			
ND	[mm]	6	12
a		G1/4	G1/2
b	[mm]	37	60
c	[mm]	50	75
d	[mm]	105	130
e	[mm]	26	35
f	[mm]	13	18
g	[mm]	57	66
h	[mm]	32	45
SW	[mm]	9	10
Weight	[kg]	0.3	0.7
Part no.		2944 002	2945 000

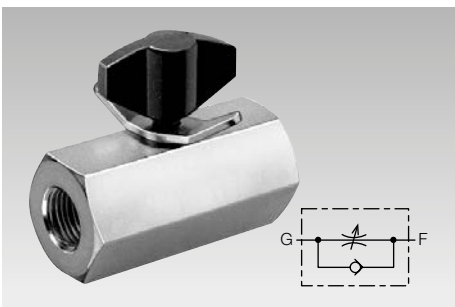
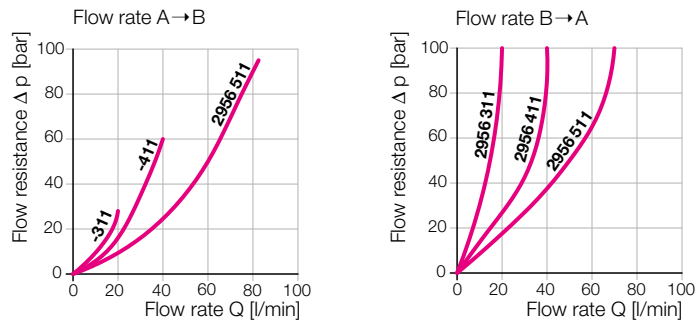


Flow control valve
Max. operating pressure 350 bar

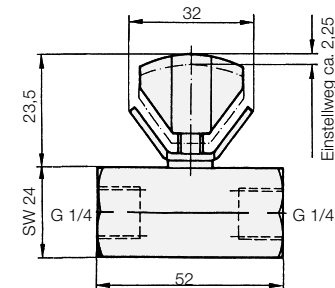


NS	[mm]	6	8	12
a	[mm]	26	33.5	44
b	[mm]	45	55	73
c	[mm]	8	12.5	17.5
d	[mm]	16	25	35
Ø e	[mm]	24	29	38
f max.	[mm]	55	72	92
g min.	[mm]	50	65	82
h		G 1/8	G 1/4	G 1/2
Weight	[kg]	0.13	0.3	0.8
Part no.		2956 311	2956 411	2956 511

Δ p-Q curves for kinematic viscosity of 72x10⁻⁶ m²/s, throttle totally opened



Flow control valve
Max. operating pressure 500 bar



Weight [kg]	0.36
Part no.	6355 108

Δ p-Q curves for kinematic viscosity of 36x10⁻⁶ m²/s, throttle totally opened

