



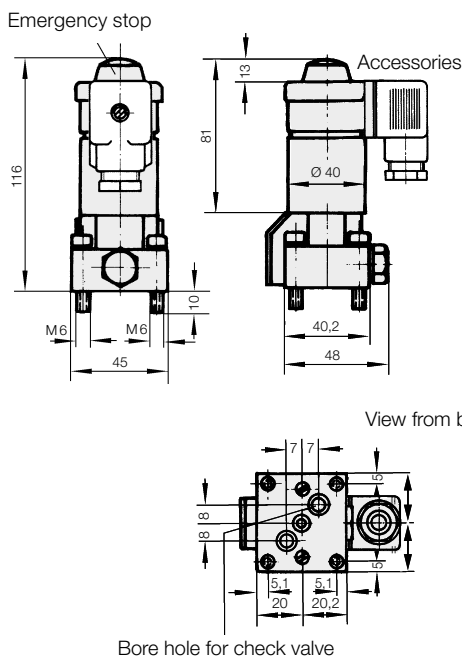
**Directional Control Valves ND 4**  
electrically-operated, with socket adapter  
max. operating pressure 500 bar (350 bar)



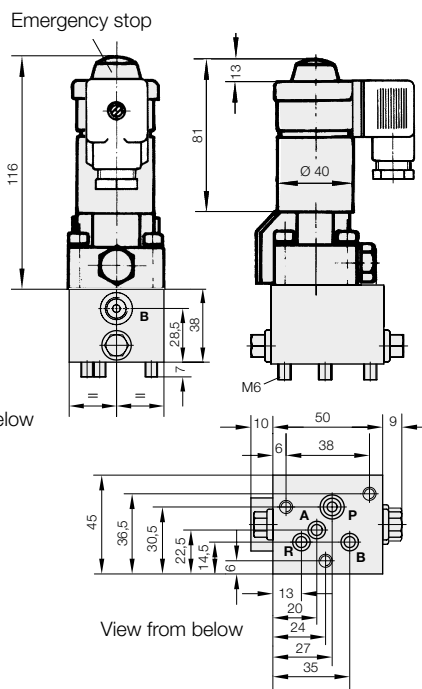
Technical data	
Design	Poppet valve hermetically sealed
Type of mounting	4 screws M 6
Type of connection	Mounting plate see reverse
Hydraulic characteristics	
Adm. operating pressure	500 bar
Adm. flow rate	8 l/min
Direction of flow	only in direction of arrow as in symbol
Hydraulic oil	HLP 22

Electrical characteristics	
Nominal voltage +5%-10%	24 V DC
Inrush power	20 W
Holding power	20 W
Power consumption	20 W
Make time	100 ms
Brake time	50 ms
Max. cycles	2000/h
Duty cycle	100% ED
Code class	IP 54
Connection	for plug EN175301-803 FormA

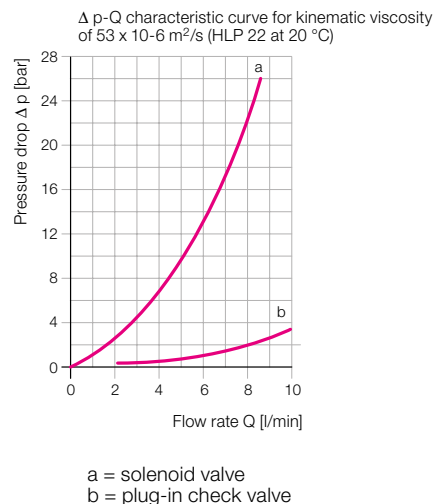
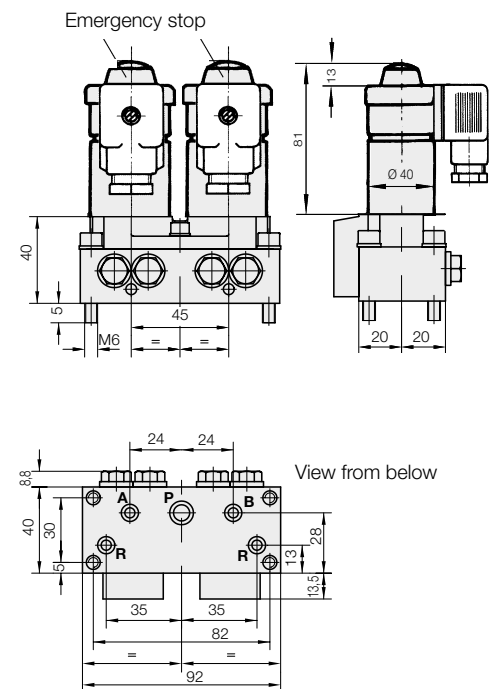
**2/2 and 3/2 directional control valves**



**4/2 directional control valve**



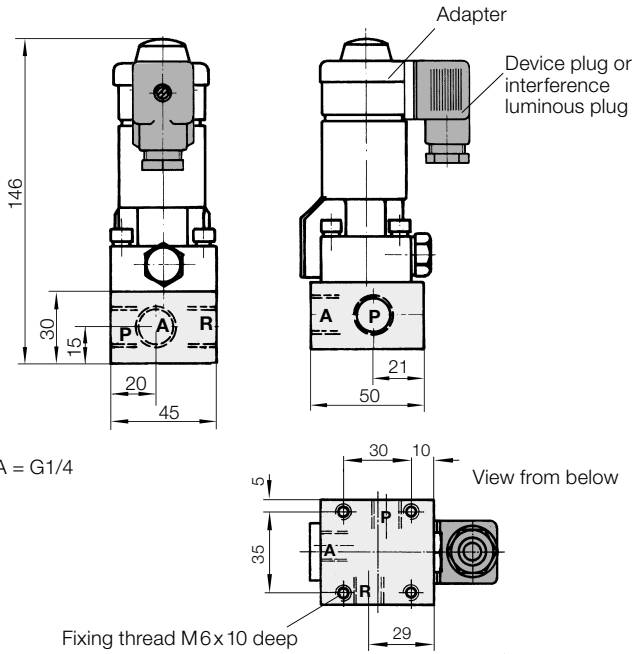
**4/3 directional control valve\***



Description	Symbol	with socket adapter Part no.
3/2 directional control valve GZ 3-1		<b>2361 220</b>
3/2 directional control valve GZ 3-1 R		<b>2361 320</b>
2/2 directional control valve GZ 2-1		<b>2361 321</b>
2/2 directional control valve GS 2-1		<b>2361 322</b>
3/2 directional control valve G 3-1		<b>2362 220</b>
3/2 directional control valve G 3-1 R		<b>2362 320</b>
4/3 directional control valve G 22-1*		<b>2361 222</b>
4/2 directional control valve G 4-1R		<b>2362 220</b> <b>+2360 114</b>

\* max. 350 bar

## Single mounting plate for 2/2 and 3/2 directional control valve



### Accessories

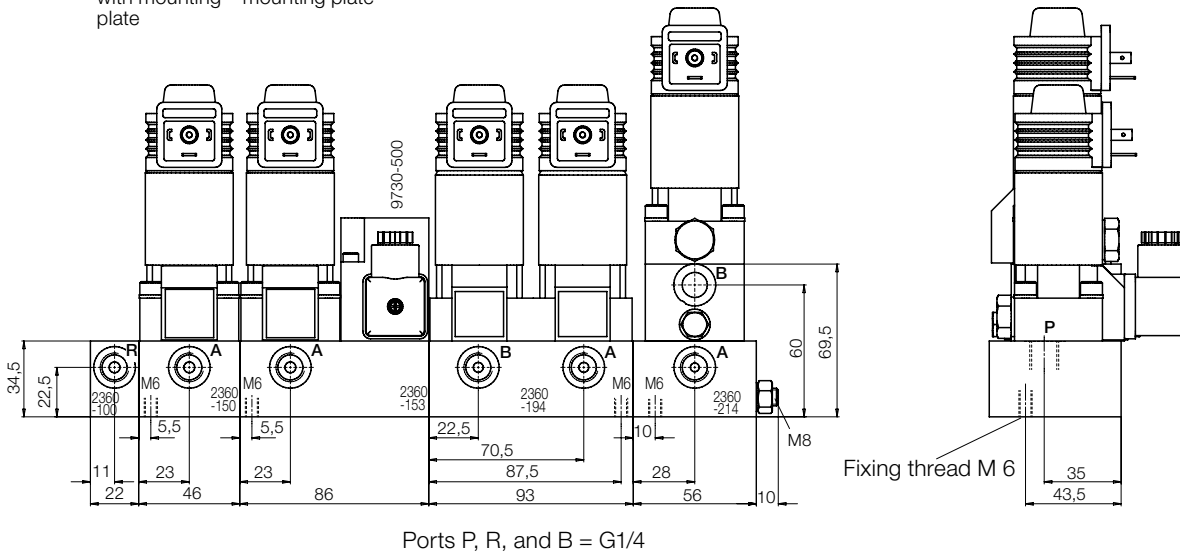
Accessories	Part no.
Device plug as per EN175301-803	<b>3141012</b>
Interference luminous plug	<b>3141477</b>
Adapter (spare part)	<b>3141299</b>
Plug-in check valve ER11	<b>3815002</b>
Single mounting plate	<b>3534039</b>

### Sealing (spare part)

	Ports	O-ring	Part no.
2/2 and 3/2 directional control valve	P and R	8 x 1.5	<b>3000343</b>
	A	5 x 1.5	<b>3000340</b>
4/2 and 4/3 directional control valve	P	8 x 1.5	<b>3000343</b>
	A, B and R	5 x 1.5	<b>3000340</b>

## Example for mounting plate combination

- 2/2 or 3/2-directional control valve with mounting plate
- 3/2 directional control valve with pressure switch and mounting plate
- 4/3 directional control valve with mounting plate
- 4/2 directional control valve with mounting plate



### Example of ordering:

- 1 off mounting plate combination consisting of:
- 1 off input plate  
**Part no. 2360 100**
- 1 off series mounting plate  
**Part no. 2360 150**
- 1 off series mounting plate  
**Part no. 2360 153**
- 1 off series mounting plate  
**Part no. 2360 194**
- 1 off series mounting plate  
**Part no. 2360 214**
- 1 off threaded bolt M8 x 1000\*  
**Part no. 3300343**

\* Minimum length = 2 x total length of all mounting plates + 40 mm

