



Block Cylinders

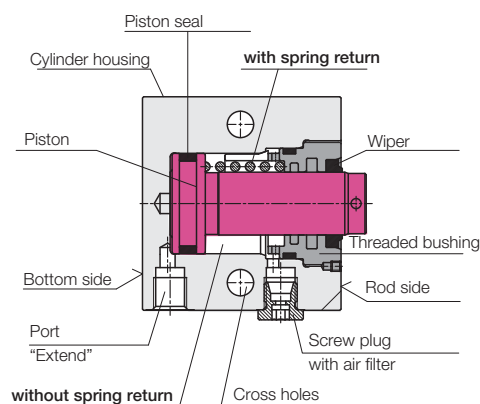
single acting, with and without spring return
max. operating pressure 500 bar



Advantages

- 8 sizes each with 2 stroke lengths available
- Large range of diameter
Piston Ø 16 up to 100 mm
- Large range of stroke 8 up to 100 mm
- Large range of force
2 kN for piston Ø 16 mm and 100 bar
392 kN for piston Ø 100 mm and 500 bar
- Large retention force
- Compact block design
- Many fixing possibilities
- Many connecting possibilities
- Case-hardened piston rod
- Alternatively NBR or FKM seals and wiper
- Operating temperature up to 200 °C with FKM seals
- Minimum leakage
- Maintenance free

Design



Application

Single-acting block cylinders can be used for all hydraulically-operated linear movements that do not require a retraction force or where the piston is retracted by an external force.

- Positioning
- Clamping
- Supporting
- Locking
- Riveting
- Moving
- Closing
- Locking
- Lifting
- Pushing

Function

With spring return

When pressurising the cylinder the piston extends. After pressure relief, the piston is retracted by spring force.

The pressure spring must not only overcome the friction forces, but must also supply the hydraulic oil back to the reservoir.

Without spring return

When pressurising the cylinder the piston extends. After pressure relief, the piston must be retracted by an external force. Since no pressure spring is installed, this single-acting block cylinder has the same stroke as the double-acting version with the same length.

Material

Cylinder housing: high alloy steel, black oxide*

Piston: case-hardening steel, hardened and ground

O-rings and wipers:

NBR = nitrile-butadiene rubber
Temperature range: -25 up to +100 °C

FKM = fluor caoutchouc
Temperature range: -15 up to +200 °C

Glydrings and back-up rings:

PTFE = polytetrafluor ethylene
Temperature range: -45 up to +200 °C

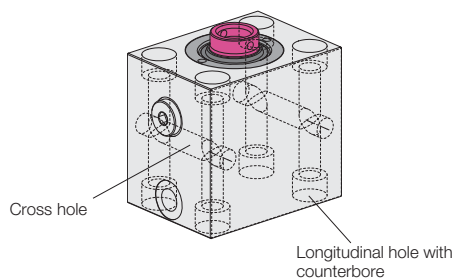
Hydraulic fluid: see data sheet A 0.100

Special versions for other hydraulic fluids and operating temperatures up to +250 °C are available on request.

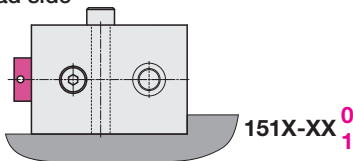
* Size 1519 black matt lacquered

Fixing possibilities

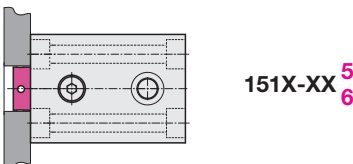
Possible mounting holes



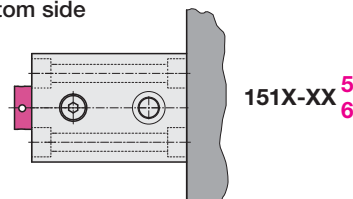
● **Broad side**



● **Rod side**

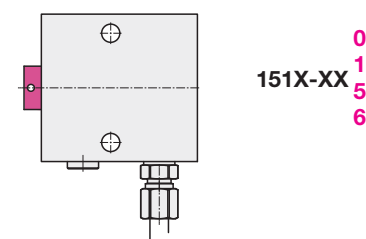


● **Bottom side**



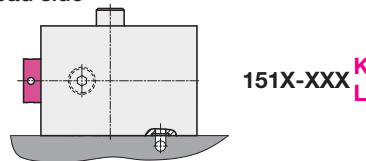
Hydraulic connecting possibilities

Pipe thread

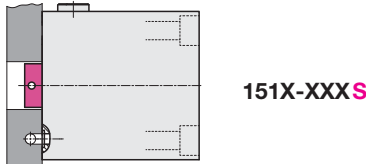


Flange with O-ring sealing

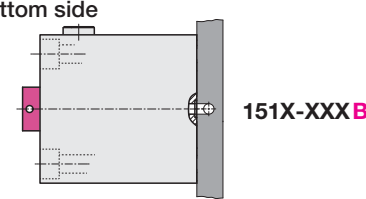
● **Broad side**



● **Rod side**



● **Bottom side**



Pipe thread

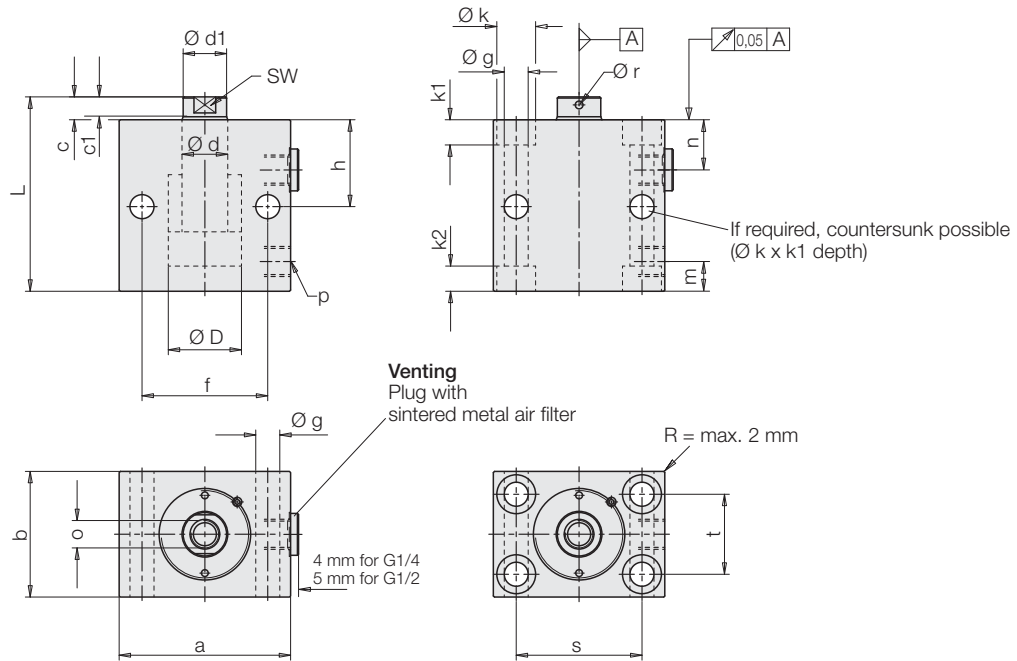
8 up to 100 mm stroke

2 cross holes

2 cross holes and
4 longitudinal holes

151X-XX⁰ (NBR)
¹ (FKM)

151X-XX⁵ (NBR)
⁶ (FKM)



Piston Ø D	[mm]	16	25	32	40	50	63	80	100
Rod Ø d	[mm]	10	16	20	25	32	40	50	63

With spring return 8 up to 32 mm stroke **X = identification code for bore holes and seals → see above**

Stroke ±0.6	[mm]	8	8	10	10	12	12	12	12
Total length L ±0.5	[mm]	62	71	85	89	100	116	131	145
Min. spring return force	[N]	57	145	222	276	387	429	760	1200
Weight approx.	[kg]	0.8	1.2	2	2.76	4.5	8.2	15.4	24.8
Part-no.		1511-00X	1513-00X	1514-10X	1515-00X	1516-00X	1517-00X	1518-00X	1519-00X

Stroke ±0.6	[mm]	20	20	20	20	20	25	32	32
Total length L ±0.5	[mm]	97	101	110	114	125	149	179	205
Min. spring return force	[N]	48	160	228	276	450	470	720	1230
Weight approx.	[kg]	1.4	2	2.8	3.6	6.1	10.3	20.3	39
Part-no.		1511-02X	1513-02X	1514-12X	1515-02X	1516-02X	1517-03X	1518-04X	1519-04X

Without spring return 16 up to 100 mm stroke **X = identification code for bore holes and seals → see above**

Stroke ±0.6	[mm]	16	20	25	25	25	30	32	40
Total length L ±0.5	[mm]	62	71	85	89	100	116	131	145
Weight approx.	[kg]	0.8	1.2	1.9	2.7	4.4	8	15	24
Part-no.		1511-01X	1513-01X	1514-11X	1515-01X	1516-01X	1517-01X	1518-01X	1519-01X
Stroke ±0.6	[mm]	50	50	50	50	50	63	80	100
Total length L ±0.5	[mm]	97	101	110	114	125	149	179	205
Weight approx.	[kg]	1.3	1.9	2.7	3.5	6	10	20	37
Part-no.		1511-06X	1513-06X	1514-16X	1515-06X	1516-06X	1517-07X	1518-08X	1519-09X

Dimensions

Technical characteristics • Important notes

Size		1511	1513	1514	1515	1516	1517	1518	1519
Piston Ø D	[mm]	16	25	32	40	50	63	80	100
Rod Ø d	[mm]	10	16	20	25	32	40	50	63
Force to push at	100 bar [kN]	2.0	4.9	8.0	12.6	19.5	31.2	50.4	78.4
	500 bar [kN]	10.0	24.5	40.2	62.8	98.5	156.0	252.0	392.0
Oil volume/ 10 mm stroke	stroke to extend [cm³]	2.01	4.91	8.05	12.56	19.63	31.17	50.26	78.54
a	[mm]	60	65	75	85	100	125	160	200
b	[mm]	35	45	55	63	75	95	120	150
c	[mm]	6 (7)*	7	10	10	10	14	14	15
Ø d1 x c1	[mm]	9.2x4	15x5	19x6	24x6	30.5x6	38.7x9	48x10	61x12
f	[mm]	30	50	55	63	76	95	120	158
Ø g	[mm]	6.5	8.5	10.5	10.5	13	17	21	25
h	[mm]	30	33	38	40	44	50	60	64
h1	[mm]	24.5	26	27	27	30	41	47	54
Ø k	[mm]	11	13.5	17	17	20	26	33	40
k1	[mm]	7	9	11	11	13	17	21.5	25.5
k2	[mm]	4	9	11	11	13	17	21.5	25.5
m	[mm]	11	11	11	11	13	17	21	25
n	[mm]	16.5	18	22	24	27	26	34	35
o x thread depth	[mm]	M6x12	M10x15	M12x15	M16x25	M20x30	M27x40	M30x40	M42x60
p		G1/4	G1/4	G1/4	G1/4	G1/4	G1/2	G1/2	G1/2
Ø r	[mm]	–	–	–	4	4	4	5	6
s	[mm]	40	50	55	63	76	95	120	158
t	[mm]	22	30	35	40	45	65	80	108
SW	[mm]	8	13	17	–	–	–	–	–
u ± 0.05	[mm]	1.1	1.1	1.1	1.1	1.1	1.5	1.5	1.5
Ø v1 extend	[mm]	3.5	4	5	6	6	8	8	8
w + 0.2	[mm]	9.8	9.8	9.8	9.8	10.8	13.8	13.8	13.8
x	[mm]	7	7.5	10	10	13	16	21	25

General tolerances as per DIN ISO 2768-mH

* 7mm for 1511-02X and 1511-06X

Important notes

The block cylinders designed for industrial applications to transform hydraulic pressure to a linear movement and /or force. They can generate very high forces. The fixture or machine must be in the position to compensate the forces.

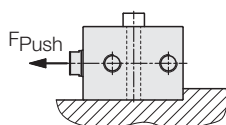
In the effective area of the clamping bolt there is the danger of crushing. The manufacturer of the fixture or the machine is obliged to provide effective protection devices.

Mounting

In principle, screws of tensile strength 8.8 can be used to secure the block cylinders.

Support

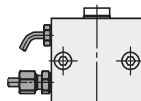
If block cylinders are fastened with screws across the cylinder axis, they must be supported for operating pressures of 160 bar and higher.



Support required, if p > 160 bar (see also page 5 "Keyway")

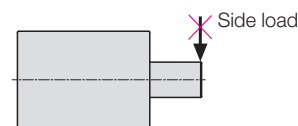
Venting of the spring area

If there is any danger that fluids penetrate through the sintered metal air filter into the spring area, a vent hose has to be connected and be placed in a protected position (see data sheet A 0.110).



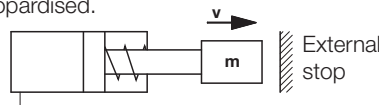
Side loads

Side loads cannot be compensated, since in the case of single-acting block cylinders the guide of the piston rod is not lubricated with hydraulic oil.



Admissible dynamic load

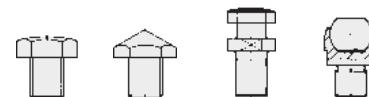
This block cylinder line is not equipped with stroke end cushioning, i.e. a weight **m** fixed to the piston will move with speed **v** against the internal stop without braking. Above all in extending direction, the threaded bushing is overloaded and the operating safety is jeopardised.



At piston speeds higher than 0.05 m/s and a weight that exceeds the own weight of the block cylinder, a cylinder with stroke end cushioning has to be used or the cylinder movement must be effected against an external stop. This is also valid for punching applications

Accessory - Contact bolts

As accessory different contact bolts and coupling pins are available. See data sheet G 3.800



For further application instructions see data sheet A 0.100 and program summary "Block Cylinders".

Flange with O-ring sealing

Broad side K

With spring return
8 up to 12 mm stroke
Without spring return
16 up to 40 mm stroke

2 cross holes
151X-**XX0K** (NBR)
151X-**XX1K** (FKM)

Broad side L

With spring return
20 up to 32 mm stroke
Without spring return
50 up to 32 mm stroke

4 cross holes
151X-**XX0L** (NBR)
151X-**XX1L** (FKM)

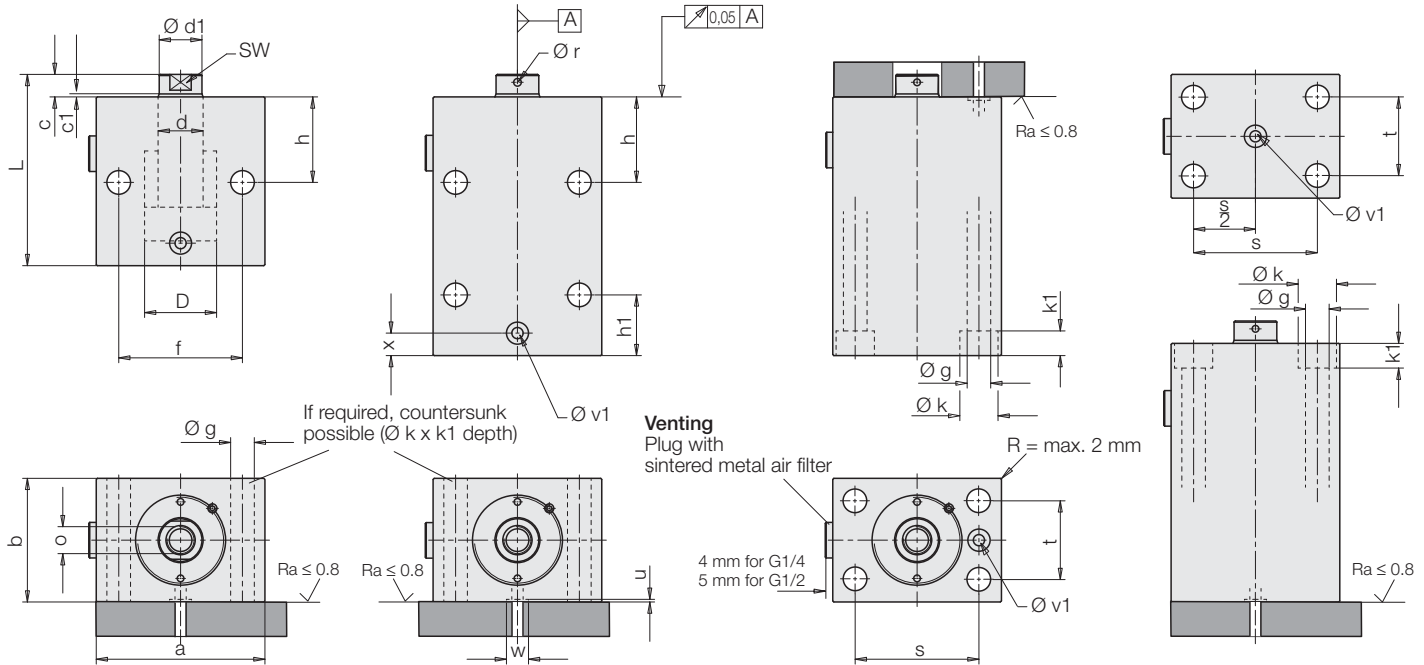
Rod side S

With spring return
8 up to 32 mm stroke
Without spring return
16 up to 100 mm stroke

4 longitudinal holes
151X-**XX5S** (NBR)
151X-**XX6S** (FKM)

Bottom side B

4 longitudinal holes
151X-**XX5B** (NBR)
151X-**XX6B** (FKM)



Piston Ø D	[mm]	16	25	32	40	50	63	80	100
Rod Ø d	[mm]	10	16	20	25	32	40	50	63

With spring return	8 up to 32 mm stroke	XX = identification code for sealing material and manifold mounting area → see above							
Stroke ±0.6	[mm]	8	8	10	10	12	12	12	12
Total length L +0.5/-0.8	[mm]	62	71	85	89	100	116	131	145
Min. spring return force	[N]	57	145	222	276	387	429	760	1200
Weight approx.	[kg]	0.8	1.2	2	2.76	4.5	8.2	15.4	24.8
Part-no.		1511-00XX	1513-00XX	1514-10XX	1515-00XX	1516-00XX	1517-00XX	1518-00XX	1519-00XX
Stroke ±0.6	[mm]	20	20	20	20	20	25	32	32
Total length L +0.5/-0.8	[mm]	97	101	110	114	125	149	179	205
Min. spring return force	[N]	48	160	228	276	450	470	720	1230
Weight approx.	[kg]	1.4	2	2.8	3.5	6.1	10.3	20.3	39
Part-no.		1511-02XX	1513-02XX	1514-12XX	1515-02XX	1516-02XX	1517-03XX	1518-04XX	1519-04XX

Without spring return	16 up to 100 mm stroke	XNNX = identification code for sealing material and manifold mounting area → see above							
Stroke ±0.6	[mm]	16	20	25	25	25	30	32	40
Total length L +0.5/-0.8	[mm]	62	71	85	89	100	116	131	145
Weight approx.	[kg]	0.8	1.2	1.9	2.7	4.4	8	15	24
Part-no.		1511-01XX	1513-01XX	1514-11XX	1515-01XX	1516-01XX	1517-01XX	1518-01XX	1519-01XX
Stroke ±0.6	[mm]	50	50	50	50	50	63	80	100
Total length L +0.5/-0.8	[mm]	97	101	110	114	125	149	179	205
Weight approx.	[kg]	1.3	1.9	2.7	3.5	6	10	20	37
Part-no.		1511-06XX	1513-06XX	1514-16XX	1515-06XX	1516-06XX	1517-07XX	1518-08XX	1519-09XX

O-rings for manifold-mounting area: (included in the delivery)

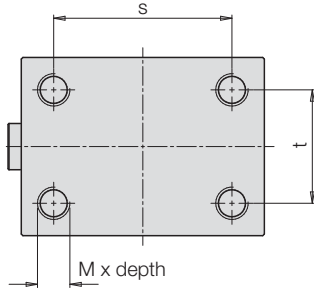
Dimensions [mm]		7 x 1.5	7 x 1.5	7 x 1.5	7 x 1.5	8 x 1.5	10 x 2	10 x 2	10 x 2
Part-no. NBR		3000-342	3000-342	3000-342	3000-342	3000-343	3000-347	3000-347	3000-347
Part-no. FKM		3001-077	3001-077	3001-077	3001-077	3000-275	3001-078	3001-078	3001-078

Standard variants

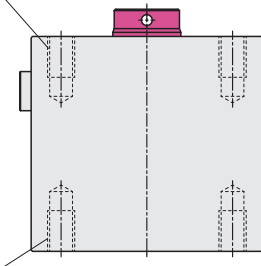
Thread • Keyway • Stroke limitation

4 threads at the front to fix the housing C, D

Instead of longitudinal holes and cross holes the block cylinders can be provided with 4 interior threads, alternatively at the rod side C or at the bottom side D.



Rod side: 151X-XXXC



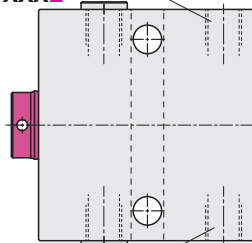
Bottom side: 151X-XXXD

Keyway to support the housing E, F, Q

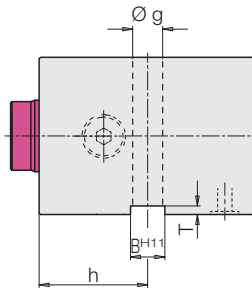
The block cylinders without longitudinal holes or interior thread can be equipped with a keyway for a key.

For pipe thread connection the position of the connecting threads have to be determined in advance (identification code E or F). For manifold-mounting connection (K or L) the identification code is Q.

Pipe thread connection at the right side: 151X-XXXE



Pipe thread connection at the left side: 151X-XXXF

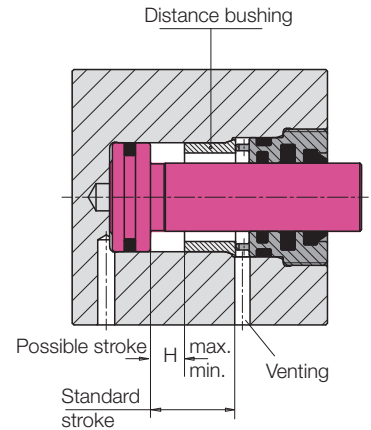


Manifold-mounting connection: 151X-XXXXQ

Stroke limitation by distance bushing H

The extending piston stroke of block cylinders can be limited by installing a distance bushing. The minimum stroke should not be less than 1 mm. The maximum stroke possible based on the standard stroke is indicated in the below table.

Only without spring return!



Example: Possible stroke

Block cylinder 1515-065
Standard stroke 50 mm

As per table:

$H_{min} = 1 \text{ mm}$

$H_{max} = 50 - 3 = 47 \text{ mm}$

Basic version	Dimensions								
	4 threads C, D			keyway E, F, Q				stroke limitation H	
Part-no. (page 2 to 4)	M x depth	s	t	B ^{H11}	T	Ø g	h	H _{min.}	H _{max.}
1511-XXXX	M 6 x 9	40	22	8	2	6.5	30	1	standard stroke - 3
1513-XXXX	M 8 x 12	50	30	10	2	8.5	33	1	standard stroke - 3
1514-XXXX	M 10 x 15	55	35	12	3	10.5	38	1	standard stroke - 3
1515-XXXX	M 10 x 15	63	40	12	3	10.5	40	1	standard stroke - 3
1516-XXXX	M 12 x 18	76	45	15	5	13	44	1	standard stroke - 4
1517-XXXX	M 16 x 24	95	65	20	5	17	50	1	standard stroke - 4
1518-XXXX	M 20 x 30	120	80	24	7	21	60	1	standard stroke - 6
1519-XXXX	M 24 x 36	158	108	28	7	25	64	1	standard stroke - 6

General tolerances as per DIN ISO 2768-mH

All dimensions in mm.

Examples for ordering:

4 threads

Block cylinder 1517-005 (pipe thread connection) with 4 threads M16 at the bottom side

Part-no. 1517-005D

Block cylinder 1517-005B (manifold-mounting connection) with 4 threads M16 at the bottom side

Part-no. 1517-005BD

Keyway

Block cylinder 1517-000 (pipe thread connection) with keyway and connecting thread at the left side

Part-no. 1517-000F

Block cylinder 1517-000K (manifold-mounting connection) with keyway

Part-no. 1517-010KQ

Stroke limitation

Block cylinder 1517-010 (pipe thread connection) with stroke limitation to 15 mm

Part-no. 1517-010H15

Block cylinder 1517-010K (manifold-mounting connection) with keyway and stroke limitation to 15 mm

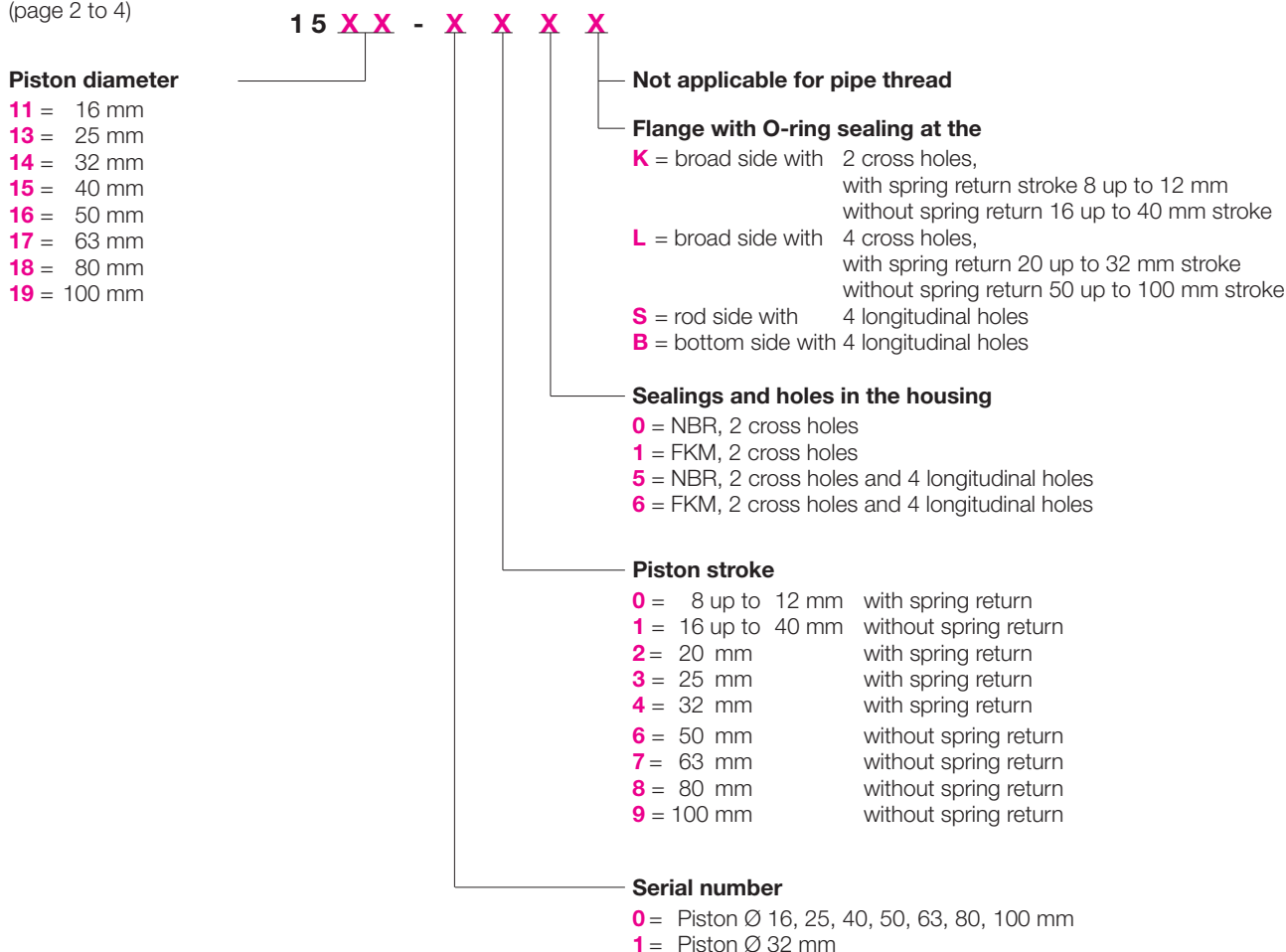
Part-no. 1517-010KQH15

Possible combinations of standard variants see page 6.

Code for part numbers Accessories

Code for part numbers of the basic versions*

(page 2 to 4)



*) Important notes

The code for part numbers allows the **determination of technical characteristics of a known part number**.
The code for part numbers is not suitable for the selection of any variant. Only the versions as per the charts on page 2 or 4 are available as standard elements.
Special variants are available on request.

Code for part numbers of the standard variants and possible combinations

Explanation of the identification codes and order examples see page 5

