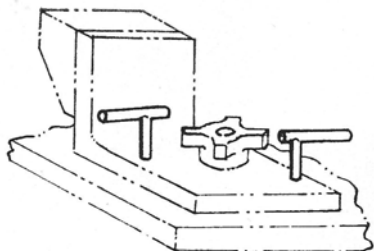
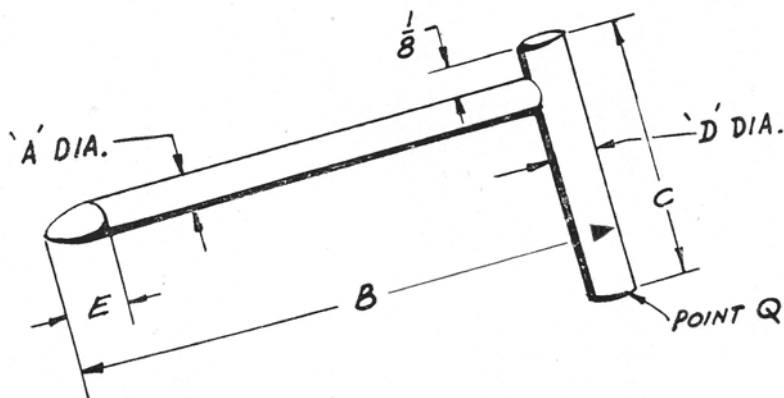


'L' PINS

1020 STEEL

CASE HARDENED



Hardened and ground 'L' pins for quick removal of locators . . . for locating parts in jigs and fixtures . . . handle is drilled to receive shank an added Carr-Lane feature.

PART No.	A + .0000 - .001	B	C	D	E
CL- 1 LP	.1875	3	2 1/2	5/16	3/8
" - 2 "	.1875	6	2 1/2	5/16	3/8
" - 3 "	.1910	3	2 1/2	5/16	3/8
" - 4 "	.1910	6	2 1/2	5/16	3/8
" - 5 "	.2500	3	2 1/2	3/8	3/8
" - 6 "	.2500	6	2 1/2	3/8	3/8
" - 7 "	.3125	3.50	3	7/16	1/2
" - 8 "	.3125	6	3	7/16	1/2
" - 9 "	.3750	4	3 1/2	1/2	1/2
" - 10 "	.3750	6	3 1/2	1/2	1/2
" - 11 "	.4375	4	3 1/2	9/16	5/8
" - 12 "	.4375	6	3 1/2	9/16	5/8
" - 13 "	.5000	4	3 1/2	5/8	5/8
" - 14 "	.5000	6	3 1/2	5/8	5/8
" - 15 "	.6250	6	3 1/2	7/8	3/4
" - 16 "	.7500	6	3 1/2	7/8	3/4
" - 17 "	.2570	3	2 1/2	3/8	3/8

also obtainable with Sash Chain

Std. length 7" welded at pt. Q